

MITEE-BITE PRODUCTS LLC



**CREATIVE
SOLUTIONS FOR
FUTURE INNOVATIONS**



Mission Statement

Our goal is to serve our customers by providing a complete range of workholding solutions, of the highest quality at competitive prices and delivered on time. This promise is backed and supported by our knowledgeable sales and engineering staff who are available to assist our distributors and customers.

Company Profile

Mitee-Bite Products, LLC began in 1986 in an oversized 2 car garage with the original Mitee-Bite hex clamp created to save time on a reoccurring production job and grew to become the innovator of compact, low-profile edge clamps for CNC machining.

Fast forward more than 35 years later and we continue to develop new products providing customers with a wide assortment of high-density low profile clamping solutions and assistance with clamping recommendations. We have expanded to also provide top level CAD designs and complete turn-key projects.

We place our focus on what matters most on your shop floor... MAKING CHIPS! Keeping the spindle running, cutter engagement, reducing idle spindle time, saving on material cost, reducing set-up times, and standardization, all contribute to our belief "let the machines work harder while you lower your labor cost and increase capacity."

Mitee-Bite Products are available through many qualified distributors around the world. For contact and product information visit our website at MiteeBite.com.

Our goal is to help you reach your goals.



Scan the QR codes located throughout the catalog to see videos and learn more about our products!

Our CAD FILES can be downloaded from our website:
MiteeBite.com/Products



About the cover

Akron Gear & Engineering of Akron, Ohio had a problem to solve – how to vertically hold a large 1 ton ring (4340) as the VTL was down, and the customer needed ASAP. Working with the Engineers at Mitee-Bite Products in Ossipee NH, they came up with the solution!
(Heavy Duty™ T-Slot Clamps - see page 7, Modular XYZ Xpansion™ Pins - see page 32-33)

To learn more, scan the QR code:



TABLE OF CONTENTS



Cam Action

Fixture Clamp 4
 Knife Edge Clamp 4
 Series-9 Clamp 5
 Machinable Fixture Clamp 5
 Compact Toe Clamp 6

Modular

Modular Pitbull® Clamp 6
 Heavy Duty™ T-Slot Clamps **NEW** 7
 T-Slot and Advant-Edge Clamp 8
 Multi-Fixture Clamps and Stops 9
 T-Slot Toe Clamp 10

Wedge

Uniforce® Clamp 11
 Long Length Uniforce®
 Channel & Steel 11
 Machinable Uniforce® Clamp 12
 Long Length Machinable
 Uniforce® Clamp 12
 OK-VISE® Clamp 13-14
 OK-VISE® Multi-Rail System 15

Low Profile

Kopal® Mini Clamp 16
 Pitbull® Clamp 17-18
 Pitbull® Wearplate **NEW** 18
 Machinable Pitbull® Clamp 19
 TalonGrip™ Long Length
 Serrated Grip **NEW** 19

TalonGrip™ Vise Jaw 20
 VersaGrip™ Vise Jaw 21
 Heavy Duty VersaGrip™ **NEW** 22
 Strap Clamp 22
 Dyna-Force® Clamp 23

3, 4, 5 Axis

Modular In-Line Clamping System 24
 Loc-Jaw® System 25

Heat Activated

Mitee-Grip™ GEN II **NEW** 26

External/Internal

Concentric O.D. Clamp **NEW** 27
 ID Xpansion™ Clamp 28-29
 Side-Loc Xpansion® Clamp 30
 Manual Actuators for Mills
 and Lathes 31
 Modular XYZ Xpansion™ Pins 32-33

Internal Pull-Down

Loc-Down® System 34

Pallet Changer

Quick Change Receiver
 and Blank Pallet 35
 Vise Pallet 36

Vacuum

Multi-Power Vac 37

Vacmagic® VM100 38
 Vacmagic® VM300 39
 Rotary Vacuum Chuck 40
 Vacuum Pump **NEW** 41
 Liquid Filled Vacuum Gauge **NEW** 41

Worm-and-Gear

Kopal® Clamps 42-43
 Mono-Bloc Chain Clamp 43

Precise Locators

Locating Rails for Jigs and Fixtures 44
 Locating Pins and Liners 44

Rocking Lever

Mounting Clamp 45

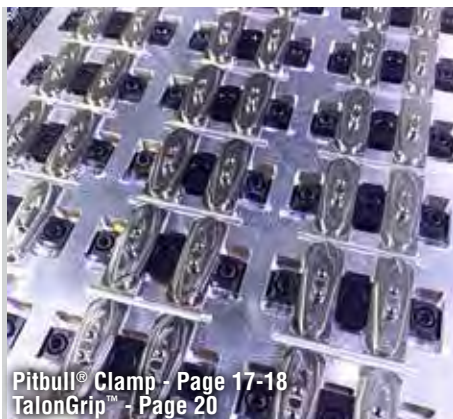
Workstation Platform

Aluminum T-Slot Plate 45

Accessories

Collet Wrench **NEW** 46
 Collet Stop 46
 Chip Hook **NEW** 46

Application Images 3,10, 41, 47, 49, 51
 Products Available in Bulk 47
 Long Tapered Screws,
 Broached Screws 47
 Replacement Parts 48
 VM100/VM300 Replacement Parts 49
 New Products 50



Pitbull® Clamp - Page 17-18
 TalonGrip™ - Page 20



T-slot Toe Clamp - Page 10



Fixture Clamp - Page 4



Machinable Uniforce® Clamp - Page 12

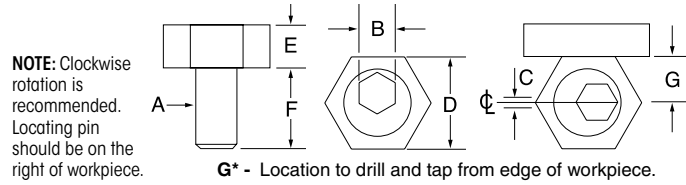


ORIGINAL FIXTURE CLAMPS



The cam action MITEE-BITE Fixture Clamp is made up of two simple components: a hardened steel socket cap screw with an offset head and a brass hexagonal washer.

- ▶ Low-profile for quick and easy installation of linear motion guide rails
- ▶ Cam action provides fast, strong clamping
- ▶ Small size allows more parts per load
- ▶ Simple design keeps cost low
- ▶ 50218 our most popular LMGR size available in bulk



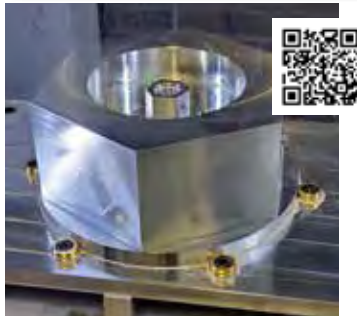
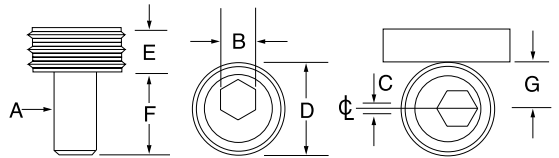
	Part Number	Model	A	B	C	D	E	F	G*	Max. Torque* (Ft/Lbs)	Holding Force (Lbs)	Clamps Per Pack**	---Replacement---		
													Cam Screw	Hex Washer	
INCH	10202	MB-2	8 - 32	5/64	.030	.312	.110	.350	.150	1.5	205 lbs	10	10363	10580	
	10207	MB-3	10 - 32	3/32	.040	.500	.160	.340	.250	2.5	350 lbs	10	10366	10587	
	10204	MB-4	1/4 - 20	1/8	.040	.625	.190	.470	.308	6.2	800 lbs	10	10365	10582	
	10205	MB-5	5/16 - 24	3/16	.040	.812	.180	.460	.400	8.3	800 lbs	12	10369	10584	
	10201	MB-5C	5/16 - 18	3/16	.040	.812	.180	.460	.400	8.3	800 lbs	12	10367	10584	
	10206	MB-6	3/8 - 16	3/16	.050	.812	.250	.710	.400	20.8	2,000 lbs	10	10371	10586	
	10208	MB-8	1/2 - 13	5/16	.100	1.000	.375	.900	.500	65.0	4,000 lbs	8	10373	10588	
	10210	MB-10	5/8 - 11	3/8	.100	1.187	.500	1.125	.590	100.0	6,000 lbs	4	10375	10592	
										(N.m.)	(N.)				
	METRIC	50204	MB-4M	M4x.7	3	.76	7.93	2.80	9.6	3.80	2.0	910 N	10	50363	10580
50206		MB-6M	M6x1.0	4	1.01	15.86	4.75	11.2	7.80	8.5	3,558 N	10	50365	10582	
50208		MB-8M	M8x1.25	5	1.01	20.61	4.55	15.0	10.15	11.3	3,558 N	12	50367	10584	
50210		MB-10M	M10x1.5	7	1.27	20.61	6.35	19.0	10.15	28.0	8,895 N	10	50369	10586	
50212		MB-12M	M12x1.75	8	2.03	25.38	9.52	22.8	12.70	88.0	17,790 N	8	50371	10590	
50216		MB-16M	M16x2.0	12	2.54	30.13	12.70	28.5	15.00	125.0	26,680 N	4	50373	10592	
50218		MB-8MX10	M8x1.25	5	1.01	20.61	4.55	15.0	10.15	11.3	3,558 N	bulk	502181	10584	
STAINLESS STEEL (300 Series)															
INCH	10214	MB-SS2	8 - 32	5/64	.030	.312	.110	.350	.150	1.5 Ft. Lbs	205 lbs	4	10362	10581	
	10203	MB-SS4	1/4 - 20	1/8	.040	.625	.190	.470	.308	6.2 Ft. Lbs	800 lbs	4	10364	10583	
	10213	MB-SS5C	5/16 - 18	3/16	.040	.812	.250	.460	.400	8.3 Ft. Lbs	800 lbs	4	10368	10585	
	50214	MB-SS2	M4x.7	3mm	.76mm	7.93mm	2.80mm	9.6mm	3.80mm	2.0(N.m.)	920 N	4	50361	10581	
	50205	MB-SS6M	M6x1.0	4mm	1.01mm	15.86mm	4.75mm	11.2mm	7.80mm	8.50(N.m.)	3,558 N	4	50364	10583	
	50207	MB-SS8M	M8x1.25	5mm	1.01mm	20.60mm	6.35mm	15.0mm	10.15mm	11.30(N.m.)	3,558 N	4	50366	10585	
										(N.m.)	(N.)				

*Maximum torque is not necessary. Normally half that value is sufficient. **Clamps available in bulk (50+ pieces) - see page 47.

KNIFE EDGE CLAMPS



Our Knife Edge Clamps can be used instead of the original brass hex clamps for clamping rough cut stock, castings and any material that requires a hardened clamping element. Same "G" dimension as Original Fixture Clamps above. Clamps produced in 12L14 steel with a nickel coating.



	Part Number	Model	A	B	C	D	E	F	G	Max. Torque* (Ft/Lbs)	Holding Force (Lbs)	Number of Clamps Per Pack**	--- Replacement ---	
													Cam Screw	Washer
INCH	22584	MB-6	3/8 - 16	3/16	.050	.812	.250	.710	.400	16.6	2,000	8	10371	12584
	22588B	MB-8	1/2 - 13	5/16	.080	1.000	.375	.900	.500	52.0	4,000	8	10374	12588B
	22592	MB-10	5/8 - 11	3/8	.100	1.187	.500	1.125	.590	80.0	6,000	4	10375	12592
										(N.m.)	(N.)			
METRIC	82584	MB-10M	M10	7M	1.27	20.60	6.35	19.0	10.15	28.00	8900	8	50369	12584
	82588	MB-12M	M12	8M	2.03	25.40	9.52	22.8	12.70	88.00	17800	8	50371	12588B
	82592	MB-16M	M16	12M	2.54	30.15	12.70	28.5	15.00	135.00	26700	4	50373	12592

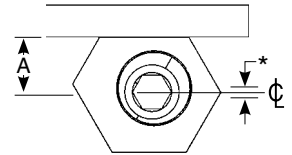
Not designed for clamping hardened material at maximum torque. *Maximum torque is not necessary. Normally half that value is sufficient. **Clamps available in bulk (50+ pieces) - see page 47.

SERIES-9 CLAMPS



- ▶ Serrated or smooth edges
- ▶ Heat treated and plated
- ▶ 4,000 lbs. (17800 N.m.) holding force at maximum screw torque

This adjustable low profile, cam action clamp provides clamping of different size workpieces merely by rotating the clamp to one of its other edges. The clamps are .394 (10mm) high and use a 1/2-13 or M12 cam screw. Each of the six clamping surfaces is a different distance from the centerline by .0394 (1mm) as shown in the chart. Therefore, one Series-9 Clamp can hold parts that vary up to .236 (6mm) simply by rotating the clamp to a different clamping surface.



TORQUE VALUES AND HOLDING FORCE

	Part Numbers	Use Screw Size	Max. Torque/ Holding Force**	Replacement Cam Screw
INCH	90110 - 90145	1/2 - 13	65 Ft Lbs / 4000 Lbs	10374
METRIC	95110 - 95145	M12	88 N.m. / 17,800 N.	50371

*Clamp travel .080 on all sizes

**Maximum torque is not necessary. Normally half that value is sufficient.

Part Number		Description	Face Number	A - Distance from ϕ (metric)
Inch	Metric			
90110	95110	1-6 Smooth	1	.4724 (12mm)
90115	95115	1-6 Serrated	2	.5118 (13mm)
			3	.5512 (14mm)
			4	.5906 (15mm)
			5	.6299 (16mm)
			6	.6693 (17mm)
90120	95120	7-12 Smooth	7	.7086 (18mm)
90125	95125	7-12 Serrated	8	.7480 (19mm)
			9	.7874 (20mm)
			10	.8268 (21mm)
			11	.8661 (22mm)
			12	.9055 (23mm)

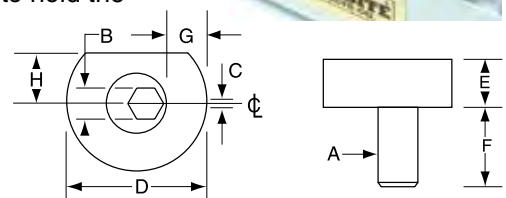
Part Number		Description	Face Number	A - Distance from ϕ (metric)
Inch	Metric			
90130	95130	13-18 Smooth	13	.9449 (24mm)
90135	95135	13-18 Serrated	14	.9842 (25mm)
			15	1.0236 (26mm)
			16	1.0630 (27mm)
			17	1.1024 (28mm)
			18	1.1417 (29mm)
90140	95140	19-24 Smooth	19	1.1811 (30mm)
90145	95145	19-24 Serrated	20	1.2205 (31mm)
			21	1.2598 (32mm)
			22	1.2992 (33mm)
			23	1.3386 (34mm)
			24	1.3780 (35mm)

MACHINABLE FIXTURE CLAMPS



These clamps, with the machinable steel washers, provide more flexibility for holding round or unusual shaped parts. Parts can be held directly to the fixture plate surface or elevated for through drilling. A special screw is provided with each package to hold the washer in the proper place during machining.

The flat edge is the same location as our original fixture clamps. It can be used where a stronger clamping surface is required.



- ▶ Low profile
- ▶ Made of mild steel for machinability

	Part Number	Description	A	B	C	D	E	F	G*	H†	Max. Torque* (Ft/Lbs)	Holding Force (Lbs)	No. of Clamps Per Pack	Mach. Screw	Cam Screw	Washer	Replacement
INCH	10504	MB-4	1/4 - 20	1/8	.040	.980	.250	.470	.250	.312	6.2	800	4	10704	10365	10604	
	10506	MB-6	3/8 - 16	3/16	.050	1.230	.350	.710	.275	.406	20.8	2,000	4	10706	10371	10606	
	10508	MB-8	1/2 - 13	5/16	.100	1.480	.450	.900	.300	.500	65.0	4,000	4	10708	10373	10608	
	10510	MB-10	5/8 - 11	3/8	.100	1.730	.550	1.125	.350	.593	100.0	6,000	4	10710	10375	10610	
METRIC	50506	MB-6M	M6	4M	1.01	24.9	6.4	11.9	6.4	7.8	8.5	3358	4	50806	50365	10604	
	50510	MB-10M	M10	7M	1.52	31.2	8.9	18.0	7.0	10.2	28.0	8900	4	50810	50369	10606	
	50512	MB-12M	M12	8M	2.03	37.6	11.4	22.9	7.6	12.7	88.0	17800	4	50812	50371	10612	
	50516	MB-16M	M16	12M	2.54	43.9	14.0	28.6	8.9	15.0	135.0	26700	4	50816	50373	10610	

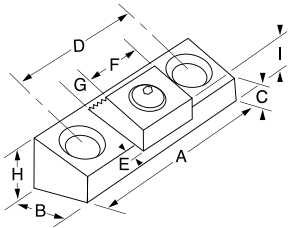
G* - Amount of machinable stock H† - The distance to drill & tap hole from edge of workpiece to use flat face. Every package includes one machining screw. *Maximum torque is not necessary. Normally half that value is sufficient.

"Mitee-Bite for the win! This fixture has seen thousands of these parts. Clamps hold as good as they did when first put in." #preachin_tiger

COMPACT TOE CLAMPS



This cam action fixture clamp provides positive down force while using very little space on a fixture. Workpieces can be clamped in series by using the back surface of a clamp to locate the next workpiece. The hardened steel clamping element has both a smooth surface for machined workpieces and a serrated clamping surface for rougher work. The height of the clamp can be adjusted by milling the slot deeper in the fixture plate.



Part Number	A	B	C	D	E†	F	G	H	I*	Total Distance of Movement	Mounting Screws (Included)	Max. Torque** (Ft/Lbs)	Holding Force (Lbs)	Replacement	
														Cam Screw	Square Washer
24106	1.70	.75	.50	1.00	.090	.75	.25	.62	.845	.050	5/16-18x3/4 LHCS	20.8	2,000	10370	21006
24108	2.12	1.00	.45	1.32	.110	1.00	.38	.62	.960	.100	3/8-16x3/4 LHCS	65.0	4,000	10372	21016
24110	2.95	1.50	.99	2.00	.130	1.50	.50	1.25	1.70	.100	1/2-13x1 1/4 SHCS	100.0	6,000	10376	21026
												(N.m.)	(N.)		
54110	43.2	19.0	12.7	25.4	2.3	19.0	6.4	15.75	21.5	1.2	M8x16 LHCS	28.20	8900	50368	21006
54112	54.0	25.4	11.4	33.5	2.8	25.4	9.7	15.75	24.4	2.0	M10x20 LHCS	88.13	17800	50372	51016
54116	75.0	38.1	25.2	50.8	3.3	38.1	12.7	31.75	43.2	2.5	M12x30 SHCS	135.58	26700	50374	21026

E† - Distance needed between front of the clamp base & the workpiece. I* - Distance from the top of the washer to the bottom of the clamp body. Drill and tap the centerline of "B" for mounting holes. **Maximum torque is not necessary. Normally half that value is sufficient.

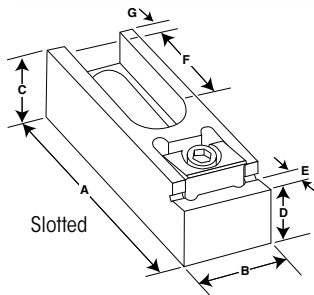


MODULAR PITBULL® CLAMPS



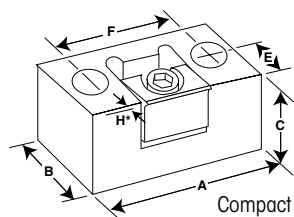
The Pitbull® Fixture Clamp is very well known for its low profile and positive down force. It is now available as a modular clamp in two styles.

The slotted Modular Pitbull® Clamp with a step offers increased versatility through its unique riser design. This clamp supports the workpiece off the machine table for through milling and drilling. The hardened and ground clamps are designed for use on work cubes, as well as machined tables with tapped holes or T-slot configurations.



The compact Modular Pitbull® Clamp is ideal for clamping workpieces in series by using the back surface of a clamp to locate the next workpiece. The back of the clamp is ground square to the bottom for precise location of parts. The height of the clamp can be adjusted by the depth of the milled slot used to locate the clamp.

Both versions are produced in two sizes with holding forces of 3,600 and 6,000 lbs (16000 and 26000 N).



Part Number	Knife Edge	Blunt Edge	Description	A	B	C	D +.0000 -.0005	E	F	G	H*	Max. Torque** (Ft/Lbs)	Holding Force (Lbs)	Mtg. Screw	Slot
26220	26225		Medium/Compact	2.25	1.23	.98	NA	.62	1.50	-	.024	14.5	3,600	5/16	-
26230	26235		Large/Compact	2.70	1.48	1.24	NA	.74	1.85	-	.050	30.0	6,000	3/8	-
26240	26245		Medium/Slotted	4.08	1.25	.99	.7300	.36	1.70	.50	.024	14.5	3,600	1/2	Closed
26250	26255		Large/Slotted	4.20	1.50	1.61	1.3780	.36	1.52	.43	.050	30.0	6,000	5/8	Closed
							D +.0000 -.013					(N.m.)	(N.)		
56220	56225		Medium/Compact	57.1	31.242	25.1	NA	15.7	38.1	-	.61	22.5	16000	M8	-
56230	56235		Large/Compact	68.6	37.592	31.5	NA	18.8	47.0	-	1.27	40.6	26000	M10	-
56240	56245		Medium/Slotted	103.6	31.700	25.1	18.542	9.1	43.2	12.7	.61	22.5	16000	M12	Closed
56250	56255		Large/Slotted	107.0	38.100	40.9	35.000	9.1	38.6	10.9	1.27	40.6	26000	M16	Closed

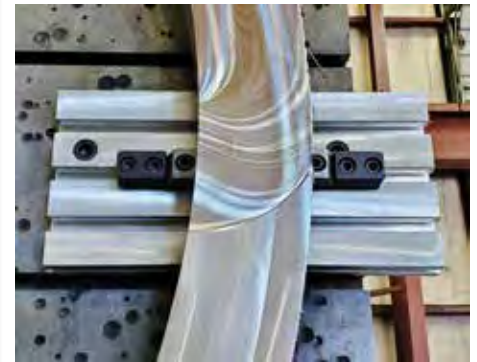
H* - Clamp travel **Maximum torque is not necessary. Normally half that value is sufficient.

PATENT NO. 6435496

HEAVY DUTY™ T-SLOT CLAMPS



Mitee-Bite Products introduces the Heavy Duty™ T-Slot Clamps - capable of generating over 20,000 pounds of pressure. This design utilizes some of the strongest lowest-profile clamps in the industry. The Pitbull® and OK-Vise® Clamps can be used on the same base with so many configurations you're sure to have more holding force than needed!



MODULAR

Pitbull® Clamp* Configurations

Includes Base, Pitbull® Clamp*, (3) 16mm tungsten carbide coated t-nuts & mounting screws.



HD™ T-Slot Clamp Base PN 41000

Machinable Pitbull® PN 41088

Knife Edge Pitbull® PN 41080

Blunt Edge Pitbull® PN 41085

Base and OK-Vise® Configurations

Base includes (3) 16mm tungsten carbide coated t-nuts and mounting screws. Designed to be used with all OK-Vise® DK model clamps (sold separately).



Base with OK-Vise® Serrated Ball PN's 41000 & 47189

OK-Vise® DK2-WT Double Wedge PN 47151

Smooth OK-Vise® DK2-VT-S Tapped Holes PN 47144

Smooth OK-Vise® DK2-VT-RS Serrated PN 47147

Smooth OK-Vise® DK2-VT+5S Machinable PN 47141

Part No.	Description
41000**	HD™ T-Slot Base ONLY - Order OK-Vise® Clamp separately
47131	OK-Vise® Clamp Model DK2-VT with Serrated Jaws
47132	OK-Vise® Clamp Model DK2-VT-S with Smooth Jaws
47141	OK-Vise® Clamp Model DK2-VT+5S with Machinable and Smooth Jaw
47144	OK-Vise® Clamp Model DK2-VT-TS with Tapped Holes and Smooth Jaw
47147	OK-Vise® Clamp Model DK2-VT-SR with Serrated Jaw and Smooth Jaw
47151	OK-Vise® Clamp Model DK2-WT Double Wedge with Serrated Jaws
47189	OK-Vise® Clamp Model DK2-VT-B with Serrated Ball and Smooth Jaw
41080*	HD™ T-Slot Base with M12 Knife Edge Pitbull® Clamp
41085*	HD™ T-Slot Base with M12 Blunt Edge Pitbull® Clamp
41088*	HD™ T-Slot Base with M12 Machinable Pitbull® Clamp

**T-nuts and M12 mounting screws included.

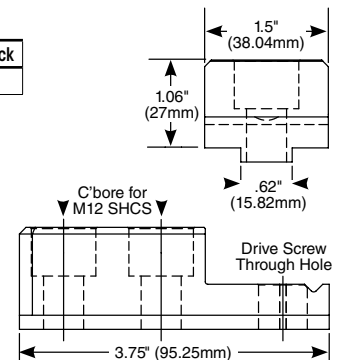
REPLACEMENT T-NUTS

Part No.	Description	T-Slot Size	Per Pack
41016	Carbide coated M12 T-nut	16mm	2/pk

REPLACEMENT PITBULL® CLAMPS*

Part No.	Description	Per Pack
56080	Pitbull® Clamp Knife Edge Tool Steel	2/pk
56085	Pitbull® Clamp Blunt Edge Tool Steel	2/pk
56088	Pitbull® Clamp Machinable Tool Steel	2/pk

*NOTE: Clamp contact surfaces have option of Texture Grip Tungsten Carbide Coating application. For more information, see our website



For more information on OK-Vise® Clamps see pages 13-14, for Pitbull® Clamps see pages 17-18



Your workholding specialists!

800-543-3580 MiteeBite.com

T-SLOT AND ADVANT-EDGE CLAMPS



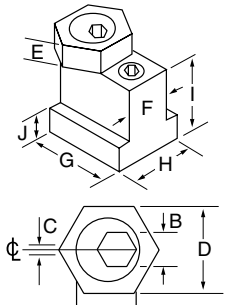
- ▶ Locks in machine T-slot for low profile clamping
- ▶ Makes fast set-ups possible right on the machine table
- ▶ Brass hex follows contour of unusual shaped parts
- ▶ Packaged in pairs or complete kits

The original MITEE-BITE T-Slot Clamp combines our unique cam action clamping element with a T-nut.



MITEE-BITE T-SLOT KITS (Contents: 4 Mitee-Bite T-Nuts, 6 Mitee-Bite Fixture Clamps, 2 Hex Keys)

	Part Number	Cam Screw	T-Slot Size	B	C	D	E	F	G	H	I	J	Max. Torque* (Ft/Lbs)	Holding Force (Lbs)	Replacement		
															Cam Screw	Hex Washer	T-Nut
INCH	10640	1/4-20	3/8	1/8	.040	.625	.190	.425	.89	.500	.375	.150	6.2	800	10365	10582	10714
	10641	5/16-18	7/16	3/16	.040	.812	.190	.425	1.10	.625	.625	.220	8.3	800	10367	10584	10715
	10642	3/8-16	1/2	3/16	.050	.812	.250	.490	1.20	.750	.625	.235	20.8	2,000	10371	10586	10716
	10643	3/8-16	9/16	3/16	.050	.812	.250	.550	1.20	.875	.750	.300	20.8	2,000	10371	10586	10717
	10644	1/2-13	5/8	5/16	.100	1.000	.375	.620	1.27	1.000	.875	.425	45.0	3,000	10373	10588	10718
	10646	1/2-13	11/16	5/16	.100	1.000	.375	.675	1.37	1.000	1.000	.350	45.0	3,000	10373	10588	10719
	Part Number	Cam Screw	T-Slot Size	B	C	D	E	F	G	H	I	J	Max. Torque* (N.m)	Holding Force (N)	Replacement		
															Cam Screw	Hex Washer	T-Nut
METRIC	50642	M6 x 1.00	8mm	5mm	1.01	15.86	4.75	8	23.2	12.7	9.5	4.6	8.55	3,558	50365	10582	50708
	50644	M6 x 1.00	10mm	5mm	1.01	15.86	4.75	10	23.2	14.2	14.2	4.3	8.55	3,558	50365	10582	50710
	50646	M8 x 1.25	12mm	5mm	1.01	20.62	4.75	12	27.9	15.9	15.9	6.4	11.30	3,355	50367	10584	50712
	50648	M10 x 1.50	14mm	7mm	1.52	20.62	6.35	14	30.5	22.4	22.2	8.5	28.00	8,895	50369	10586	50714
	50650	M12 x 1.75	16mm	8mm	2.03	25.40	9.53	16	30.9	25.4	22.2	9.2	61.00	13,340	50371	10590	50716
	50652	M12 x 1.75	18mm	8mm	2.03	25.40	9.53	18	34.7	28.6	28.6	10.5	61.00	13,340	50371	10590	50718
	50654	M16 x 2.00	20mm	12mm	2.54	30.15	12.70	20	39.2	31.8	31.8	12.6	135.00	26,680	50373	10592	50720
	50656	M16 x 2.00	22mm	12mm	2.54	30.15	12.70	22	44.3	34.9	41.3	12.5	135.00	26,680	50373	10592	50722



*Maximum torque is not necessary. Normally half that value is sufficient.

T-SLOT CLAMPS

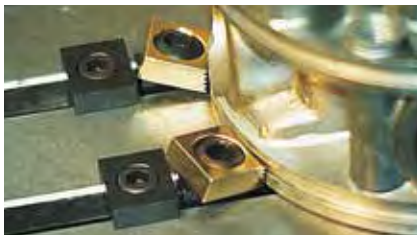


	Part Number	T-Slot Size	Number of Clamps Per Pack	Holding Force (Lbs)
INCH	10420	3/8	2	800
	10421	7/16	2	800
	10422	1/2	2	2,000
	10423	9/16	2	2,000
	10424	5/8	2	3,000
	10426	11/16	2	3,000

Hex key not included.

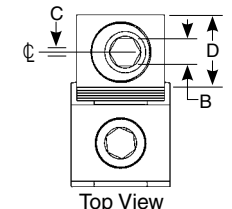
	Part Number	T-Slot Size	Number of Clamps Per Pack	Holding Force (N)
METRIC	50422	8mm	2	3,558
	50424	10mm	2	3,558
	50426	12mm	2	3,355
	50428	14mm	2	8,895
	50430	16mm	2	13,340
	50432	18mm	2	13,340
	50434	20mm	2	26,680
	50436	22mm	2	26,680

ADVANT-EDGE CLAMPS



The MITEE-BITE Advant-Edge Clamp provides additional clamping force and improved table grip.

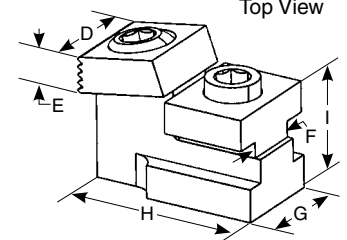
- ▶ Tilted clamping element creates a positive downward force and 4,000 lbs. holding force
- ▶ Hardened clamping element has both a smooth surface for machined workpieces and a serrated clamping surface for rougher work
- ▶ Improved locking mechanism secures clamp to machine table
- ▶ Packaged individually (52224) or as kit of two (52424)



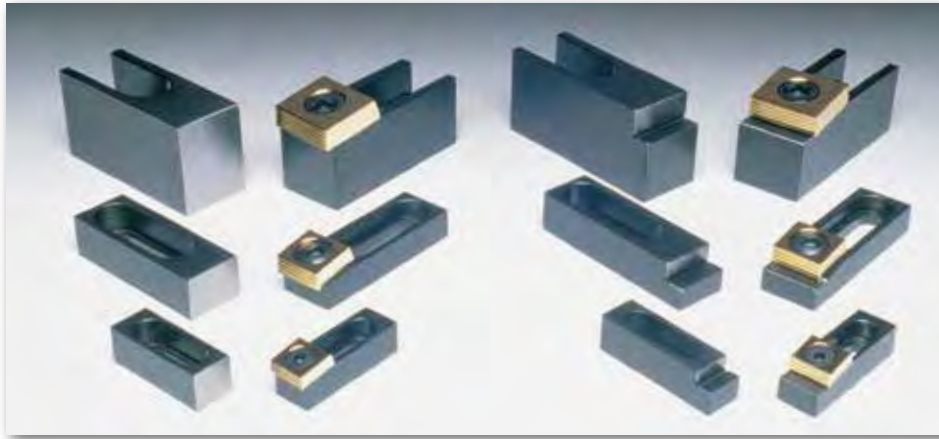
	Part Number	Cam Screw	T-Slot Size	B	C	D	E	F	G	H	I	Max. Torque/ Holding Force* (Ft Lb/Lbs)	Replacement Square Washer
INCH	52224	50372	5/8	5/16	.080	1.00	.375	.610	1.12	1.89	1.1	65/4,000	51016
	52424 (kit)												

METRIC DIMENSIONS												
	16	8	2	25.4	9.5	16	28.5	48	28	88.00/17800	(N.m./N.)	

Torque mounting bolt to 70 Ft/Lbs (150N.m.). *Maximum torque is not necessary. Normally half that value is sufficient.



MULTI-FIXTURE CLAMPS AND STOPS



The Multi-Fixture Clamps, with a step, offer increased versatility through their unique riser clamp design. These clamps support the workpiece off the machine table for through milling and drilling.

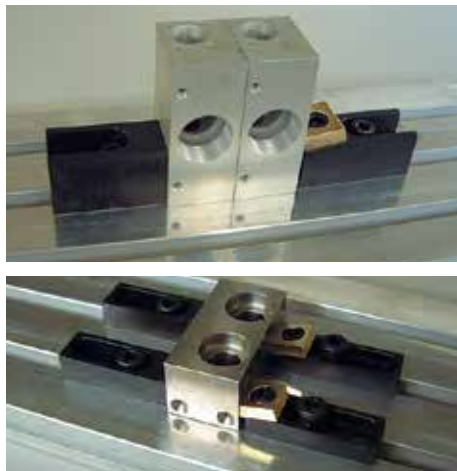
The Multi-Fixture Clamps, without a step, grip the workpiece at a higher point for more clamping strength and better stability.

The hardened and ground clamps offer quick cam action clamping and are designed for use on work cubes and machine tables with tapped holes or T-slot configurations.

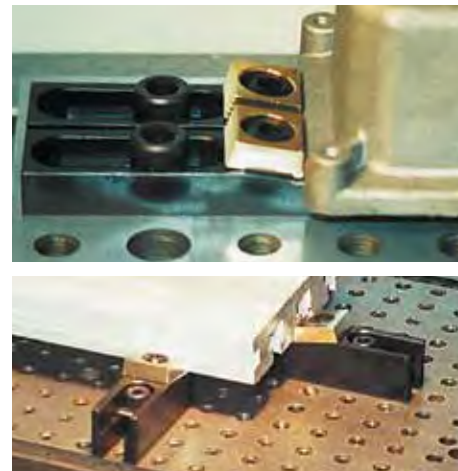
They adjust to unusually shaped parts because the cam action allows the clamping element to always make maximum contact with the workpiece for greater holding force. The tilted clamping element provides positive down force for more accurate machining.



APPLICATIONS WITHOUT STEPS

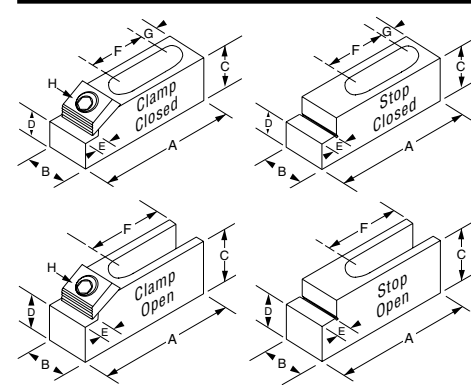


APPLICATIONS WITH STEPS

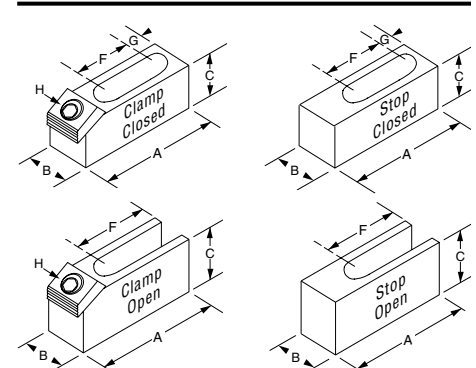


Part Number	Item	A	B	C	D ^{+0.000} _{-0.005}	E	F	G	Cam Screw H	Max. Torque* (Ft/Lbs)	Holding Force (Lbs)	Mtg. Screw (not incl)	Slot	Repl. Square Washer	
INCH WITH STEPS															
23140	Clamp	2.50	.75	.62	.4600	.31	.83	.53	10370	8.3	2,000	5/16	Closed	21006	
23180	Stop	2.50	.75	.75	.4600	.31	1.11	.53	-	-	-	5/16	Closed	-	
23150	Clamp	3.75	1.12	.62	.4800	.37	1.68	.50	10372	65.0	4,000	1/2	Closed	21016	
23200	Stop	3.75	1.12	.87	.4800	.37	1.68	.50	-	-	-	1/2	Closed	-	
53170	Clamp	4.21	1.50	1.62	1.3780	.37	1.82	-	50373	100.0	6,000	5/8	Open	21026	
23240	Stop	4.21	1.50	2.00	1.3780	.37	1.82	-	-	-	-	5/8	Open	-	
INCH WITHOUT STEPS															
23145	Clamp	2.16	.75	.62	-	-	.83	.53	10370	8.3	2,000	5/16	Closed	21006	
23148	Stop	2.20	.75	.75	-	-	1.11	.53	-	-	-	5/16	Closed	-	
23155	Clamp	3.37	1.12	.62	-	-	1.68	.50	10372	65.0	4,000	1/2	Closed	21016	
23158	Stop	3.30	1.12	.87	-	-	1.68	.50	-	-	-	1/2	Closed	-	
53172	Clamp	3.80	1.50	1.62	-	-	1.82	-	50373	100.0	6,000	5/8	Open	21026	
23178	Stop	3.30	1.50	2.00	-	-	1.82	-	-	-	-	5/8	Open	-	
METRIC WITH STEPS															
53140	Clamp	63.5	19.1	15.8	11.68	8.0	21.1	13.5	50368	28.00	8900	M8	Closed	21006	
23180	Stop	63.5	19.1	19.1	11.68	8.0	28.2	13.5	-	-	-	M8	Closed	-	
53150	Clamp	95.3	28.5	15.8	12.19	9.4	42.7	12.7	50372	88.00	17800	M12	Closed	51016	
23200	Stop	95.3	28.5	22.1	12.19	9.4	42.7	12.7	-	-	-	M12	Closed	-	
53170	Clamp	107.0	38.1	41.2	35.00	9.4	46.2	-	50373	135.00	26700	M16	Open	21026	
23240	Stop	107.0	38.1	50.8	35.00	9.4	46.2	-	-	-	-	M16	Open	-	
METRIC WITHOUT STEPS															
53145	Clamp	54.9	19.1	15.8	-	-	21.1	13.5	50368	28.00	8900	M8	Closed	21006	
23148	Stop	55.9	19.1	19.1	-	-	28.2	13.5	-	-	-	M8	Closed	-	
53155	Clamp	85.6	28.5	15.8	-	-	42.7	12.7	50372	88.00	17800	M12	Closed	51016	
23158	Stop	83.5	28.5	22.1	-	-	42.7	12.7	-	-	-	M12	Closed	-	
53172	Clamp	96.5	38.1	41.2	-	-	46.2	-	50373	135.00	26700	M16	Open	21026	
23178	Stop	83.8	38.1	50.8	-	-	46.2	-	-	-	-	M16	Open	-	

WITH STEPS



WITHOUT STEPS



*Maximum torque is not necessary. Normally half that value is sufficient.



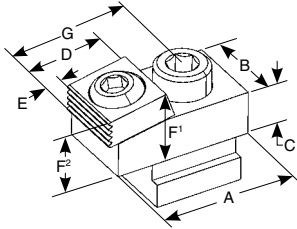
T-SLOT TOE CLAMPS



This clamp is like the Compact Toe Clamp, only it is designed to be used in the T-slots of machine tables. It provides 4,000 lbs. (17800 N) positive down force while maintaining a low profile. The hardened steel clamping element has both a smooth surface for machined workpieces and a serrated clamping surface for rougher work.



	Part Number	T-slot Size
INCH	24000	No T-nut or Mtg. Screw
	24128	9/16
	24148	5/8
	24168	11/16
	24188	3/4
METRIC	54000	No T-nut or Mtg. Screw
	54014	14
	54016	16
	54018	18



	A	B	C	D	E	F1	F2	G (Neutral Position)	Max. Torque*/ Holding Force	Replacement	
										Cam Screw	Square Washer
INCH	1.94	1.12	.62	1.00	.38	1.00	.875	1.48	65/4,000 (Ft Lbs/Lbs)	10372	21016
METRIC	50	28.5	15.7	25.4	9.6	25.4	22.2	37.59	88.00/17800 (N.m./N.)	50372	51016

F1 - The distance from the top of the back of the washer to the bottom of the clamp body.
 F2 - The distance from the top of the front of the washer to the bottom of the clamp body.
 Torque mounting bolt to 110 Ft/Lbs (150N.m.).

*Maximum torque is not necessary. Normally half that value is sufficient.

"We're a big fan of your product. I've been in the industry for almost 30 years now and I can remember Mitee-Bite being one the earliest brands and product offering that I was ever exposed to. Stuff is just awesome and it's limited by what the end user cannot think of. Your products are amazing and they're not leaving our shop anytime soon! As long as you exist, you'll have a customer in myself!"

Scott Trout

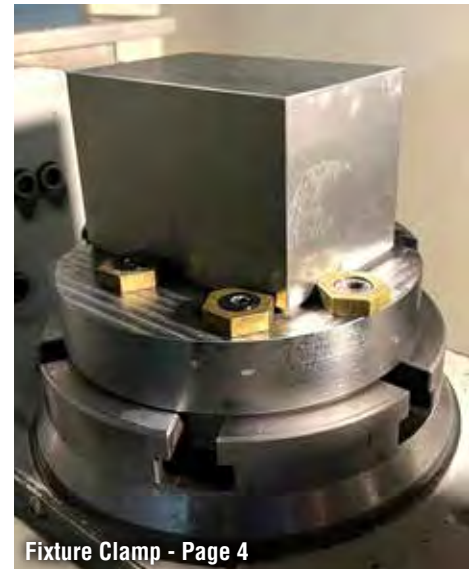
MODULAR



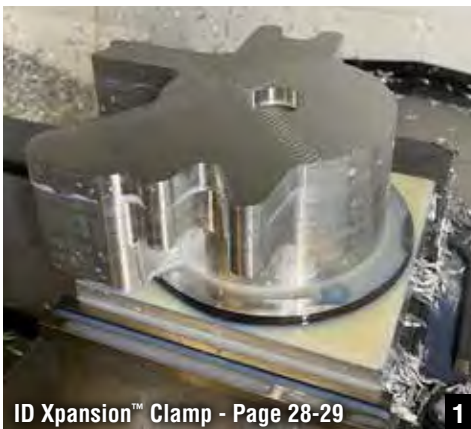
T-slot Toe Clamp - Page 10



Machinable Uniforce® Clamp - Page 12

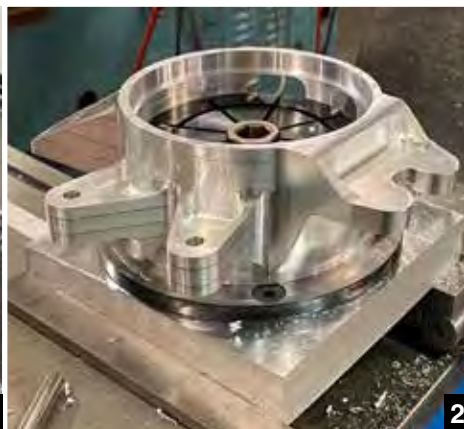


Fixture Clamp - Page 4



ID Xpansion™ Clamp - Page 28-29

1

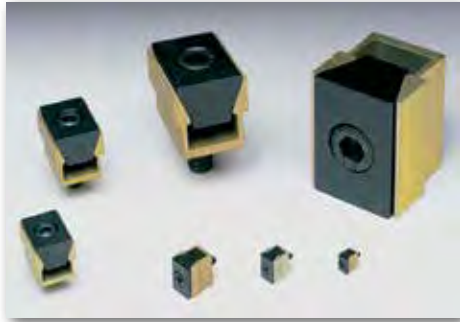


2



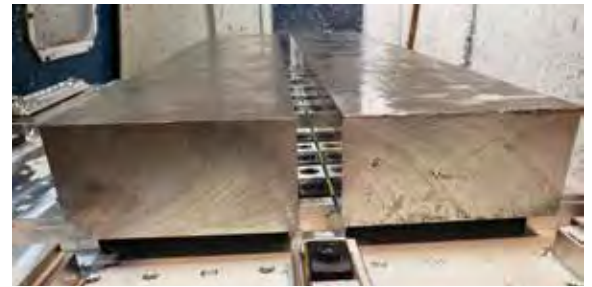
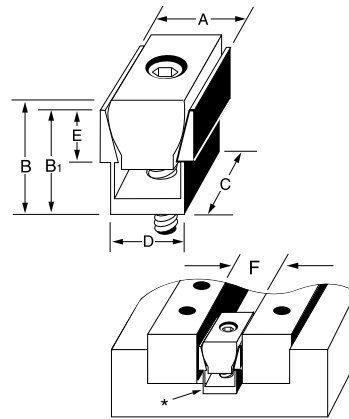
3

UNIFORCE® CLAMPS



The compact, economical MITEE-BITE Uniforce® Clamp enables you to fixture more parts on the machine table. The specially designed steel wedge spreads the clamping force uniformly on both sides of the 7075-T6 aluminum channel and is one of the best solutions for high density applications.

- ▶ Increases production
- ▶ Holds two parts with equilateral clamping action
- ▶ Ideal for clamping flat or round workpieces
- ▶ Minimizes tool changes
- ▶ Reduces wasted space
- ▶ See Locating Rails on page 44
- ▶ Easily mated to hydraulic pull cylinders
- ▶ Ideal for pallet changers



	Part Number	Model	A	B	B1	C	D*	E	F†	Thread Size	Maximum Spread	Max. Torque* (Ft/Lbs)	Holding Force (Lbs)	Number of Clamps Per Pack*	Hex Key Size	Replacement	
																Channel	Steel Wedge
INCH	60250	250	.240	.27	.250	.320	.210	.140	.250	2 - 56	.260	.5	200	6	5/64	60205	60305
	60375	375	.360	.38	.375	.470	.310	.185	.375	4 - 40	.390	1.1	310	6	3/32	60207	60307
	60500	500	.485	.58	.500	.625	.410	.220	.500	8 - 32	.530	2.5	500	8	9/64	60210	60310
	60750	750	.735	.77	.750	.940	.635	.375	.750	1/4 - 20	.785	10.0	1,500	6	3/16	60220	60320
	61000	1000	.980	1.02	1.000	1.250	.820	.500	1.000	5/16-18	1.050	19.0	2,500	4	1/4	60230	60330
	61500	1500	1.470	1.52	1.500	1.875	1.215	.750	1.500	1/2-13	1.560	28.3	3,500	2	3/8	60240	60340
	62000	2000	1.960	2.03	2.000	2.500	1.625	1.000	2.000	5/8 -11	2.080	55.0	6,000	2	1/2	60245	60350
											(N.m.)	(N.)					
METRIC	80250	250	6.1	6.9	6.40	8.1	5.3	3.6	6.4	M2	6.7	0.70	880	6	1.5	60205	60305
	80375	375	9.1	9.7	9.50	11.9	7.9	4.7	9.5	M2.5	10.0	1.50	1,350	6	2	60207	60307
	80500	500	12.3	14.5	12.70	15.9	10.4	5.6	12.7	M4	13.2	3.40	2,225	8	3	60210	60310
	80750	750	18.6	19.0	19.05	23.8	16.1	9.5	19.0	M6	20.3	13.50	6,675	6	5	60220	60320
	81000	1000	24.8	25.9	25.40	31.7	20.8	12.7	25.4	M8	26.9	25.00	11,125	4	6	60230	60330
	81500	1500	37.3	38.6	38.10	47.6	30.8	19.0	38.1	M12	39.9	38.40	15,575	2	10	60240	60340
	82000	2000	49.7	51.5	50.80	63.5	41.2	25.4	50.8	M16	53.0	74.60	26,700	2	14	60245	60350

D* - A milled slot wider than D dimension will insure clamp remains in line with workpiece. Clamp sides should not come in contact with slot walls during expansion.
 F† - The distance needed between workpieces for clamp clearance. Drill and tap mounting hole on the center of F dimension. *Clamps available in bulk (50+ pieces) - see page 47.
 *Maximum torque is not necessary. Normally half that value is sufficient.

LONG LENGTH UNIFORCE® CHANNEL & STEEL WEDGE

This material is provided in 20" (508mm) lengths. Custom lengths available up to 60" so clamps can be fabricated in different lengths to suit any requirement. Channel and steel wedge are not drilled or plated.



Part Number	Model
62010	250 Channel
63010	250 Steel Wedge
62020	375 Channel
63020	375 Steel Wedge
62120	500 Channel
63120	500 Steel Wedge
62220	750 Channel
63220	750 Steel Wedge

Part Number	Model
62320	1000 Channel
63320	1000 Steel Wedge
62420	1500 Channel
63420	1500 Steel Wedge
62520	2000 Channel
63520	2000 Steel Wedge

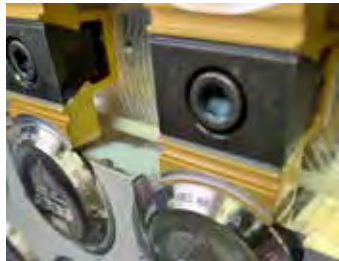


MACHINABLE UNIFORCE® CLAMPS

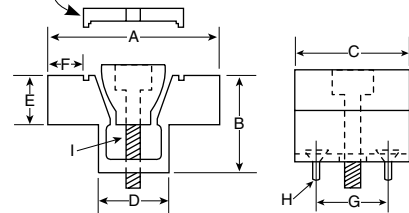


The compact Mitee-Bite Uniforce® clamp is available with extra material on the clamping jaws so it can be machined to conform to the shape of your workpiece - enabling you to fixture unusual applications easily. The specially designed steel wedge spreads the clamping force uniformly on both sides of the 7075-T6 aluminum channel.

The locking plate properly expands the clamp, while making it rigid for machining. Machine to a slip fit of workpiece. Remove locking plate before clamping workpiece.



NOTE: When clamp is used to hold flat stock, use locking plate to machine faces parallel.



Replacement Locking Plates	
Model	Part No.
500	60143
750	60145
1000	60155
1500	60165
2000	60185



	Model	Part No. With Locking Plate	Part No. Without Locking Plate	A*	B	C	D	E	F†	G	H**	I	Max. Torque‡ (Ft/Lbs)	Holding Force (Lbs)	Replacement	
															Channel	Steel Wedge
INCH	500	60050	60055	1.125	.50	.62	.420	.25	.18	.400	2-56	8-32	2.5	500	60140	60310
	750	60075	60080	1.500	.75	.94	.632	.37	.26	.625	6-32	1/4-20	10.0	1,500	60125	60320
	1000	60100	60105	2.000	1.00	1.25	.820	.50	.39	.812	6-32	5/16-18	19.0	2,500	60135	60330
	1500	60150	60153	3.000	1.50	1.87	1.215	.75	.62	1.200	10-32	1/2-13	28.3	3,500	60160	60340
	2000	60200	60203	4.000	2.00	2.50	1.625	1.00	.80	1.625	1/4-20	5/8-11	55.0	6,000	60180	60350
													(N.m.)	(N.)		
METRIC	500	80050	80055	28.6	12.7	15.7	10.67	6.3	4.6	10.16	M2	M4	3.40	2,225	60140	60310
	750	80075	80080	38.1	19.1	23.9	16.05	9.4	6.6	15.87	M4	M6	13.50	6,675	60125	60320
	1000	80100	80105	50.8	25.4	31.8	20.83	12.7	9.9	20.62	M4	M8	25.00	11,125	60135	60330
	1500	80150	80155	76.2	38.1	47.5	30.86	19.1	15.7	30.48	M5	M12	38.40	15,575	60160	60340
	2000	80200	80205	101.6	50.8	63.5	41.28	25.4	20.3	41.28	M6	M16	74.60	26,700	60180	60350

A* - The distance needed between workpieces for clamp clearance, drill and tap mounting holes on the center of "A" dimension.

Patent #6,126,199

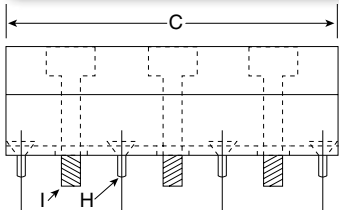
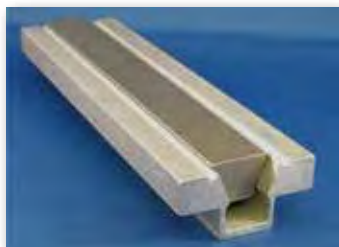
F† - The amount of machinable stock on jaws. H** - Mounting screws included. ‡Maximum torque is not necessary. Normally half that value is sufficient.



LONG LENGTH MACHINABLE UNIFORCE® CLAMPS

This material is provided in 7 1/2" (190mm) lengths. Custom lengths available up to 6 feet so clamps can be fabricated in different lengths to suit any requirement. Channel and steel wedge are not drilled or plated.

Locking plate is required to machine channel without vibration. (See chart above)



	Part Number	Model	A*	B	C	D	E	F†	H	I	Max. Torque** (Ft/Lbs)	Holding Force (Lbs)
INCH	60051	500 Channel	1.125	.50	7.50	.420	.25	.18	2-56	8-32	2.5	500
	60052	500 Steel Wedge	-	-	7.50	-	-	-	-	-	-	-
	60071	750 Channel	1.500	.75	7.50	.632	.37	.26	6-32	1/4-20	10.8	1,500
	60072	750 Steel Wedge	-	-	7.50	-	-	-	-	-	-	-
	60101	1000 Channel	2.000	1.00	7.50	.820	.50	.39	6-32	5/16-18	10.4	2,000
	60102	1000 Steel Wedge	-	-	7.50	-	-	-	-	-	-	-
	60151	1500 Channel	3.000	1.50	7.50	1.215	.75	.62	10-32	1/2-13	28.3	3,500
	60152	1500 Steel Wedge	-	-	7.50	-	-	-	-	-	-	-
											(N.m.)	(N.)
METRIC	80051	500 Channel	28.6	12.7	190mm	10.67	6.3	4.6	M2	M4	3.40	2225
	80071	750 Channel	38.1	19.1	190mm	16.05	9.4	6.6	M4	M6	14.30	6675
	80101	1000 Channel	50.8	25.4	190mm	20.83	12.7	9.9	M4	M8	14.50	8900
	80151	1500 Channel	76.2	38.1	190mm	30.86	19.1	15.7	M5	M12	38.40	15575

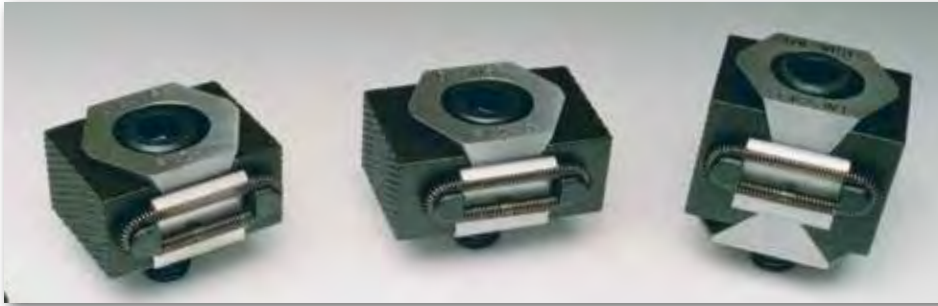
A* - The distance needed between workpieces for clamp clearance, drill and tap mounting holes on the center of "A" dimension.

F† - The amount of machinable stock on jaws.

(3) Drive Screws and (4) Mounting Screws included.

**Maximum torque is not necessary. Normally half that value is sufficient.

OK-VISE® CLAMPS



THREE-DIMENSIONAL MACHINING

Due to a low-profile design of OK-VISE® Clamps, it is possible to execute flexible three-directional machining of workpieces with one fastening. This ability to machine a workpiece in three planes means improved accuracy.

PULL DOWN ACTION

The single wedge clamps keep the workpieces steadily in place, not allowing upward or downward movement. The double-wedge clamps generate a pull-down action pressing the workpieces towards the fixture base.



MACHINABLE JAWS

Single-wedge clamps are also available with extended jaws that can be machined to suit the geometry of the workpiece.

SPECIAL MODELS

"B": (Ball on 1 Jaw)

"E": (Balls on each Jaw)

A self adjusting serrated steel ball is helpful when clamping castings and workpieces of irregular shape.

"T": Jaws tapped with M5 threads for socket head screws allowing custom "soft jaw" to match your geometry.

"SS": BK2 is available in high quality stainless steel to meet the demands of EDM applications.

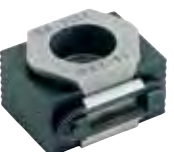
ECONOMY MODEL

"O": Same raw material as other models. Only the bottom of the jaws are ground for precise locating on the fixture base.

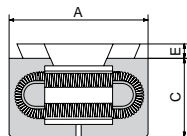
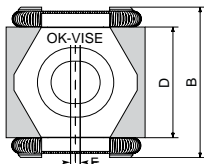


WEDGE

SINGLE-WEDGE



Strong lateral clamping with a single wedge design.



Part Number	Model	Description	----- A -----			B	C	D	E	F	Mounting Screw (included)	Max. Torque* (Ft/Lbs)	Holding Force of Jaws (Lbs)	Hardness of Jaws HRC
			Min.	Optimum	Max.									
47100	AK2-VT-SO	Smooth Jaw	.79	.90	.98	.86	.43	.59	.16	.060	10-32 x 3/4	7	2,000	48-52
47110	BK2-VT-S	Smooth Jaw	1.07	1.14	1.25	1.14	.59	.83	.11	.060	5/16-18 x 3/4	30	5,500	48-52
47105	BK2-VT-O	Serrated Jaw	1.07	1.19	1.31	1.14	.59	.83	.16	.060	5/16-18 x 3/4	30	3,000	48-52
47103	BK2-VT-SO	Smooth Jaw	1.06	1.14	1.22	1.14	.59	.83	.10	.060	5/16-18 x 3/4	30	3,000	48-52
47115	BK2-VT	Serrated Jaw	1.06	1.14	1.25	1.14	.59	.83	.10	.060	5/16-18 x 3/4	30	5,500	48-52
47113	BK2-VT-SS	Stainless Smooth Jaw	1.06	1.14	1.22	1.14	.59	.83	.10	.060	5/16-18 x 3/4	30	5,500	48-52
47130	DK2-VTI	Serrated Jaw	1.65	1.77	1.93	1.61	.87	1.18	.16	.080	1/2-13 x 1 1/4	110	14,500	48-52
47160	FK2-VT	Serrated Jaw	2.24	2.40	2.57	2.20	1.14	1.65	.20	.145	5/8-11 x 1 1/2	250	24,900	48-52

*Maximum torque is not necessary. Normally half that value is sufficient.

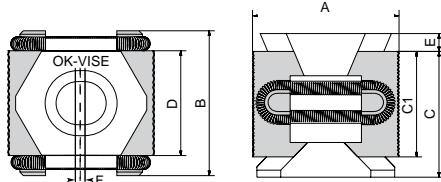


Your workholding specialists!

800-543-3580 MiteeBite.com

OK-VISE® CLAMPS

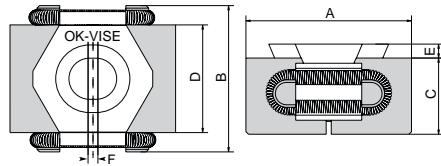
DOUBLE-WEDGE



Increased clamping force and the double wedge design pulls the workpiece down.

Part Number	Model	Description	----- A -----			B	C	C1	D	E	F	Mounting Screw (included)	Max. Torque* (Ft/Lbs)	Holding Force of Jaws (Lbs)	Hardness of Jaws HRC
			Min.	Optimum	Max.										
47150	DK2-WTI	Serrated Jaw	1.65	1.81	1.93	1.61	1.42	1.18	1.18	.20	.080	1/2-13 x 1 1/2	110	20,000	48-52
47180	FK2-WT	Serrated Jaw	2.28	2.40	2.64	2.20	1.97	1.65	1.65	.20	.145	5/8-11 x 2 1/4	250	33,000	48-52

MACHINABLE SINGLE-WEDGE

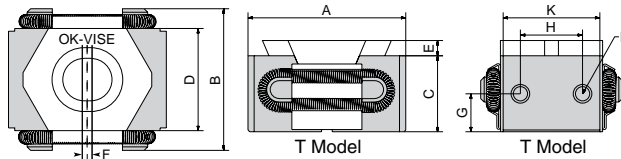


Additional material is added to these machinable jaws.

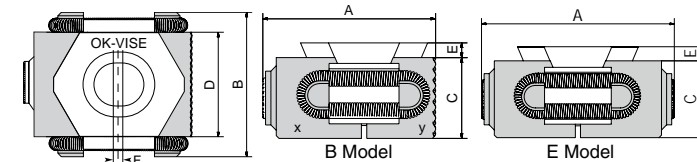
Part Number	Model	Description	----- A -----			B	C	D	E	F	Mounting Screw (included)	Max. Torque* (Ft/Lbs)	Holding Force of Jaws (Lbs)	Hardness of Jaws HRC
			Min.	Optimum	Max.									
47120	BK2-VT+3	Smooth Jaw	1.30	1.38	1.46	1.14	.59	.83	.10	.060	5/16-18 x 3/4	30	5,000	30-34
47140	DK2-VT+5	Serrated Jaw	2.05	2.17	2.32	1.61	.87	1.18	.16	.080	1/2-13 x 1 1/4	110	12,000	30-34
47170	FK2-VT+5	Serrated Jaw	2.64	2.76	2.99	2.20	1.14	1.65	.20	.145	5/8-11 x 1 1/2	250	22,000	30-34

SPECIAL MODELS

Tapped Jaws



Self Adjusting Articulating Serrated Pads



Part Number	Model	Description	----- A -----			B	C	D	E	G	H	K	L	Mounting Screw (Included)	Max. Torque* (Ft/Lbs)	Holding Force of Jaws (Lbs)	Hardness of Jaws HRC
			Min.	Optimum	Max.												
47112	BK2-VT-T	Tapped Jaws	1.30	1.38	1.46	1.14	0.59	0.83	0.10	0.30	0.47	.83	M5	5/16-18 X 3/4 SHCS	30	5,000	30-34
47145	DK2-VT-T	Tapped Jaws	1.81	1.93	2.09	1.61	0.87	1.18	0.16	0.43	0.71	1.10	M5	1/2-13 X 1 1/4 SHCS	110	12,000	30-34
47175	FK2-VT-T	Tapped Jaws	2.40	2.56	2.76	2.20	1.14	1.65	0.19	0.57	1.02	1.57	M5	5/8-11 X 1 1/2 SHCS	250	22,000	30-34

Part Number	Model	Description	A			B	C	D	E	G	H	K	L	Mounting Screw (Included)	Max. Torque* (Ft/Lbs)	Holding Force of Jaws (Lbs)	Hardness of Jaws HRC
			Min.	Optimum	Max.												
47185	BK2-VT-B	Serrated Pad/Serrated Combo Jaw	1.30	1.38	1.46	1.14	.59	.83	.10	-	-	-	-	5/16-18 x 3/4	30	5,500	48-52
47190	DK2-VT-B	Serrated Pad/Serrated Combo Jaw	2.04	2.16	2.32	1.61	.87	1.18	.16	-	-	-	-	1/2-13 x 1 1/4	110	12,000	48-52
47187	BK2-VT-E	Serrated Pad on each Jaw	1.54	1.61	1.69	1.14	0.59	0.83	0.10	-	-	-	-	5/16-18 X 3/4 SHCS	30	5,000	N/A
47186	DK2-VT-E	Serrated Pad on each Jaw	2.44	2.56	2.72	1.61	0.86	1.18	0.15	-	-	-	-	1/2-13 X 1 1/4 SHCS	110	12,000	N/A

Clamps available with smooth jaws. Lead time may apply.

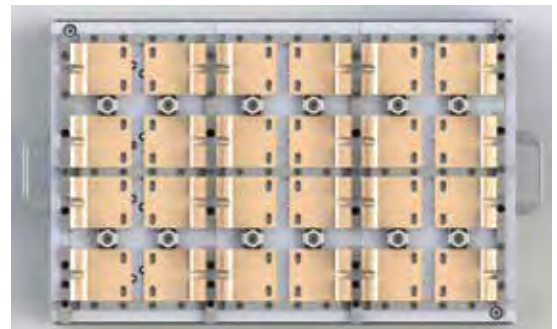
*Maximum torque is not necessary. Normally half that value is sufficient.

OK-VISE® REPLACEMENT PARTS

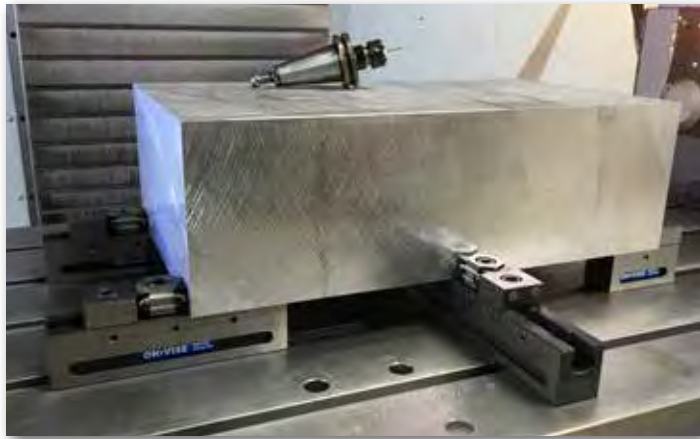
Model	Spring	Side Plate
AK Series	47095*	47123
BK Series	47125	47127
DK Series	47135	47137
FK Series	47161	47162

*Supplied with O-ring

Model	Description	Part Number
AK Series	Wedge	47090
DK2-VTI	Wedge	47134
DK2-WTI	Top Wedge	47155
DK2-WTI	Bottom Wedge	47156
FK2-VT	Wedge	47163
FK2-WT	Top Wedge	47164
FK2-WT	Bottom Wedge	47166

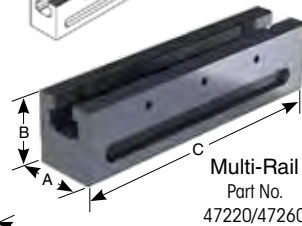
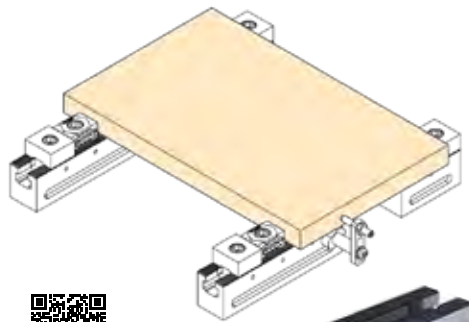
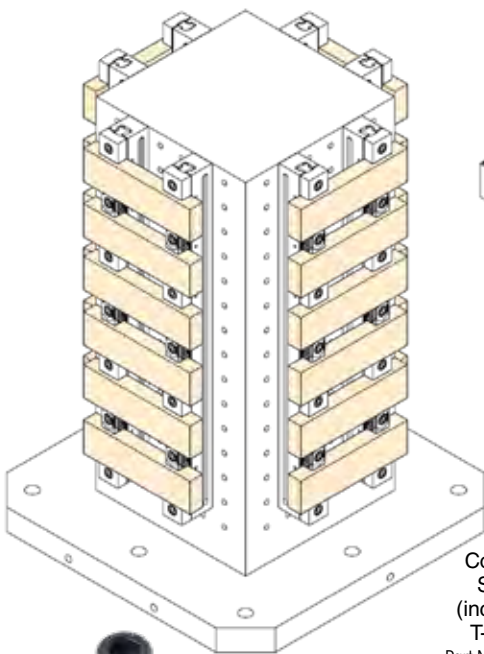


OK-VISE® MULTI-RAIL SYSTEM



The Multi-Rail System is a versatile fixturing system perfect for all machining centers. The addition of the new Speed Stop eliminates the need for the standard Stop (Part No. 47200) to be placed behind clamp. The user can quickly adjust the location of the clamp allowing for different sized parts to be loaded and unloaded faster and more efficiently.

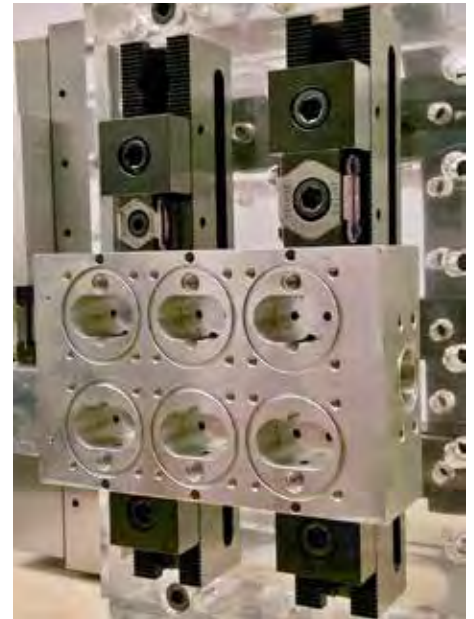
- ▶ All sides of a work piece can be machined with two setups
- ▶ Multiple work pieces can be clamped on the same area
- ▶ Ability to hold parts the size of your working envelope
- ▶ Over 20,000 lbs. of pressure. Perfect for high speed machining



Multi-Rail
Part No. 47220/47260



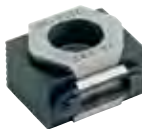
Combo Stop
(includes T-Nut)
Part No. 47200



WEDGE



T-Nut
Part No. 47225



DK2-VT
Clamp
Part No. 47131



Speed Stop
Part No. 47205

Part No.	Description	A	B	C	C ₁
47220	Multi-Rail RM200*	44mm	50mm	200mm	-
47260	Multi-Rail RM600*	44mm	50mm	600mm	-
47200	Combo Stop (Smooth/Serrated), includes T-Nut	44mm	22mm	40mm	42mm
47225	Multi-Rail Custom M12 T-nut for Clamp	-	-	-	-
47131	*DK2-VT Clamp includes M12x25mm Screw	-	-	-	-
47205	Speed Stop	-	-	-	-

*Stops, T-nuts, Clamp sold separately.

Contact us for more high holding force options!



Jaw combinations

All the different types of DK2 jaws can be combined with each other. For example, if you want one side of your clamp to have a smooth jaw and the other side to have a serrated one, that's possible! Special orders don't upset us!



RM600 (47260)
Clamps/Combo
Stops Sold Separately



[47189](#)
Serrated Ball



[47147](#)
Smooth/Serrated



[47131](#)
Serrated



[47144](#)
Smooth/Tapped Holes



[47141](#)
Smooth/Machinable



Your workholding specialists!

800-543-3580 MiteeBite.com

KOPAL® MINI CLAMPS

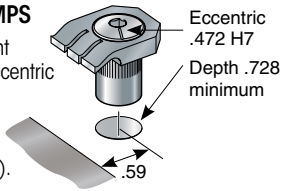


These low profile cam action clamps and stops have a holding force of 880 lbs. (3900N.) and have fingers that push the workpiece down before clamping, even on castings that have negative draft!

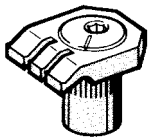
Ground stops are mounted with special screws to ensure high precision locating.

CAM ACTION CLAMPS

The clamping element rotates around the eccentric insert that provides for clamping in all directions. Clamping range: .047" (1.2mm). Made of spring steel.



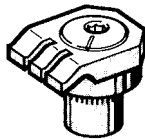
LOW PROFILE CLAMP



Part Number	Clamping Height	Max. Torque*
25210	.100 (2.5mm)	6.6 Ft. Lbs. (8.95N.m.)

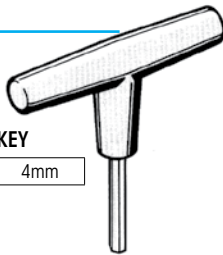
RAISED CLAMP

Part Number	Clamping Height	Max. Torque*
25215	.300 (7.5mm)	6.6 Ft. Lbs. (8.95N.m.)



*Maximum torque is not necessary. Normally half that value is sufficient.

Special mounting screws included

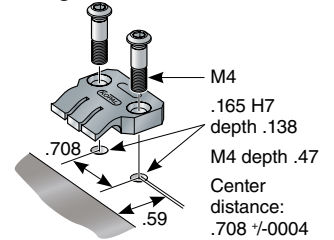


CLAMPING KEY

25280	4mm
-----------------------	-----

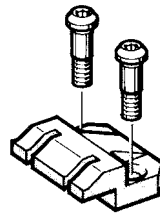
STOPS/LOCATORS

The single stop with only one rigid stop is used for pieces over 1.75" (44.5mm) long. The double stop with 2 rigid stops is used for small size pieces. Both are made of spring steel.



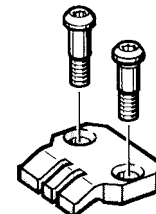
RAISED DOUBLE STOP

Part Number	Jaw Height
25120	.300 (7.5mm)



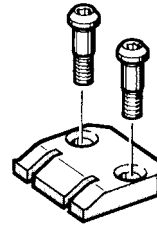
SINGLE STOP

Part Number	Jaw Height
25105	.100 (2.5mm)



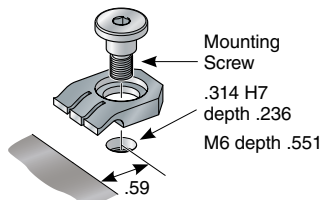
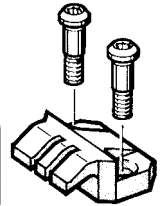
DOUBLE STOP

Part Number	Jaw Height
25110	.100 (2.5mm)



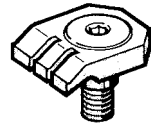
RAISED SINGLE STOP

Part Number	Jaw Height
25115	.300 (7.5mm)

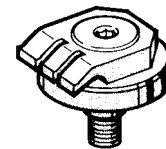


SWIVEL STOP

Part Number	Jaw Height
25125	.100 (7.5mm)



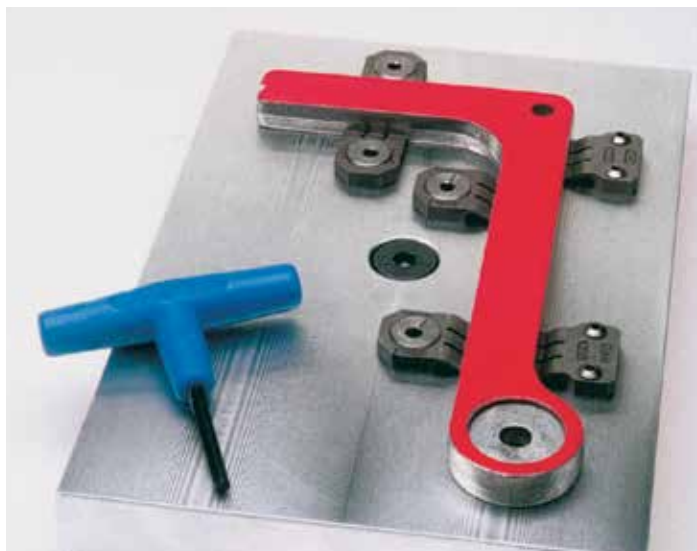
Installation instructions and CAD files available online



RAISED SWIVEL STOP

Part Number	Jaw Height
25130	.300 (7.5mm)

LOW PROFILE



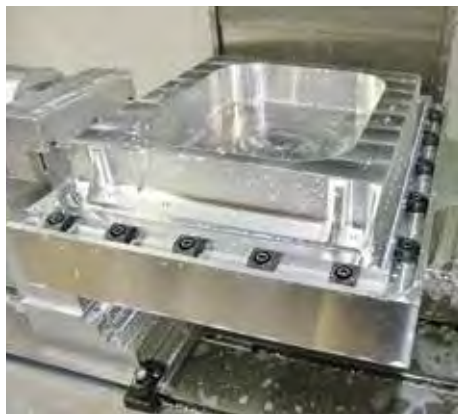
PITBULL® CLAMPS



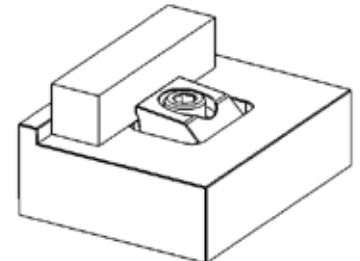
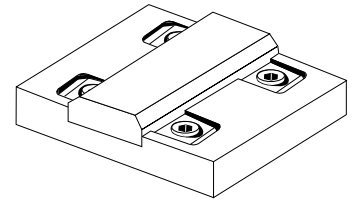
The revolutionary Pitbull® Clamp remains the lowest profile, highest holding force clamp in the industry today. High vertical and horizontal clamping forces are generated, considering the size of the Pitbull® Clamps. It uses a standard cap screw and an oil resistant O-ring. The Pitbull® Clamp is available in 5 sizes and several styles, a tool steel knife edge for aggressive stock removal, a tool steel blunt edge for general purpose, a brass version to help prevent marring the workpiece and a machinable version on page 19.

UNIQUE FEATURES:

- ▶ Extremely low bite
- ▶ Positive down force
- ▶ High strength A2 Tool Steel virtually eliminates rip-out
- ▶ Simple, sturdy, high quality design and components
- ▶ Gain maximum tool access to your work
- ▶ Virtually eliminate lost work
- ▶ Great option with hydraulic cylinders



FIXTURE EXAMPLES



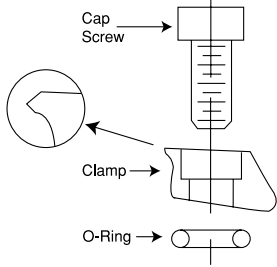
Using a Wear Plate* under clamp in aluminum fixtures when applying maximum torque prevents displacing metal at pivot point. (*see Pitbull Wear Plates, page 18)



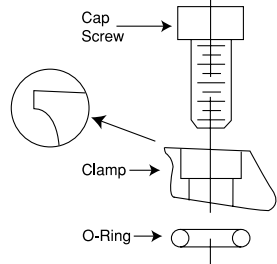
LOW PROFILE



KNIFE EDGE



BLUNT EDGE



Both versions of the tool steel clamps generate the same clamping pressure. However, the Knife Edge clamps bite into the material for more aggressive machining, while the Blunt Edge is less likely to mark the workpiece.

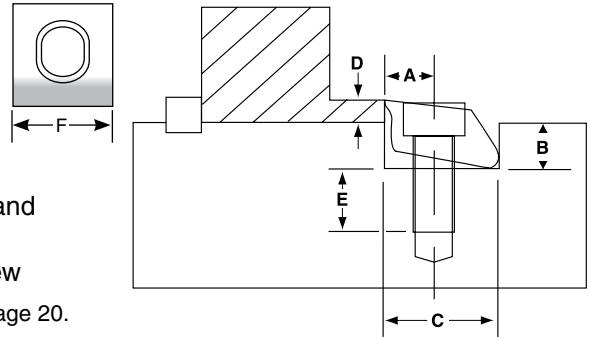
The Knife Edge clamp has a black oxide finish. Both the Knife Edge and Blunt Edge clamps are heat treated 43-45Rc.

	Replacement O-ring	Screw Size
Pkg of 20	26008	4-40 or M2.5
	26028	8-32 or M4
	26058	1/4-20 or M6
Pkg of 10	26078	3/8-16 or M10
	26083	1/2-13 or M12

Pitbull® Installation

Creating Fixtures is Easy... Simply:

1. Machine a pocket or slot for the Pitbull® Clamp
2. Drill and tap a hole for the cap screw
3. Assemble the clamp as shown in diagram
4. Position clamp as shown in diagram and loosely screw to fixture
5. Insert workpiece and tighten cap screw



See Locating Rails, page 44 and TalonGrip™, page 20.

	Part Number	Description	A	B	C	D*	E	F	SHCS Screw Size	Max. Torque** (Ft/Lbs)	Holding Force (Lbs)	Total Throw	No. Clamps Per Package†
INCH	26000	Tool Steel, Knife Edge	.150	.140	.375	.075	.260	.375	4-40	1.30	650	.0075	8
	26010	Tool Steel, Blunt Edge	.150	.140	.375	.075	.260	.375	4-40	1.30	650	.0075	8
	26015	Brass, Blunt Edge	.150	.140	.375	.075	.220	.375	4-40	.41	200	.0075	8
	26020	Tool Steel, Knife Edge	.200	.187	.500	.100	.390	.500	8-32	3.70	1,500	.0160	8
	26030	Tool Steel, Blunt Edge	.200	.187	.500	.100	.390	.500	8-32	3.70	1,500	.0160	8
	26040	Brass, Blunt Edge	.200	.187	.500	.100	.340	.500	8-32	2.00	400	.0160	8
	26050	Tool Steel, Knife Edge	.300	.280	.750	.150	.570	.750	1/4-20	14.50	3,600	.0240	6
	26060	Tool Steel, Blunt Edge	.300	.280	.750	.150	.570	.750	1/4-20	14.50	3,600	.0240	6
	26065	Brass, Blunt Edge	.300	.280	.750	.150	.440	.750	1/4-20	4.10	950	.0240	6
	26070	Tool Steel, Knife Edge	.400	.450	1.000	.250	.710	1.000	3/8-16	30.00	6,000	.0500	4
	26075	Tool Steel, Blunt Edge	.400	.450	1.000	.250	.710	1.000	3/8-16	30.00	6,000	.0500	4
	26080	Tool Steel, Knife Edge	.600	.640	1.500	.375	.770	1.500	1/2-13	108.30	12,000	.0750	2
26085	Tool Steel, Blunt Edge	.600	.640	1.500	.375	.770	1.500	1/2-13	108.30	12,000	.0750	2	
									(N.m.)	(N.)			
METRIC	56000	Tool Steel, Knife Edge	3.81	3.55	9.52	1.90	6.60	9.52	M2.5	1.8	2800	.190	8
	56010	Tool Steel, Blunt Edge	3.81	3.55	9.52	1.90	6.60	9.52	M2.5	1.8	2800	.190	8
	56015	Brass, Blunt Edge	3.81	3.55	9.52	1.90	5.59	9.52	M2.5	.56	875	.190	8
	56020	Tool Steel, Knife Edge	5.08	4.75	12.70	2.54	9.90	12.70	M4	5.6	6600	.406	8
	56030	Tool Steel, Blunt Edge	5.08	4.75	12.70	2.54	9.90	12.70	M4	5.6	6600	.406	8
	56040	Brass, Blunt Edge	5.08	4.75	12.70	2.54	8.64	12.70	M4	2.8	1750	.406	8
	56050	Tool Steel, Knife Edge	7.62	7.11	19.05	3.81	14.48	19.05	M6	22.5	16000	.610	6
	56060	Tool Steel, Blunt Edge	7.62	7.11	19.05	3.81	14.48	19.05	M6	22.5	16000	.610	6
	56065	Brass, Blunt Edge	7.62	7.11	19.05	3.81	11.18	19.05	M6	5.6	4200	.610	6
	56070	Tool Steel, Knife Edge	10.16	11.43	25.40	6.35	18.03	25.40	M10	40.6	26000	1.270	4
	56075	Tool Steel, Blunt Edge	10.16	11.43	25.40	6.35	18.03	25.40	M10	40.6	26000	1.270	4
	56080	Tool Steel, Knife Edge	15.24	16.26	38.10	9.52	19.56	38.10	M12	145.0	50000	1.900	2
56085	Tool Steel, Blunt Edge	15.24	16.26	38.10	9.52	19.56	38.10	M12	145.0	50000	1.900	2	

D* - Minimum clamp height **Maximum torque is not necessary. Normally half that value is sufficient.

PATENT NO. 6435496

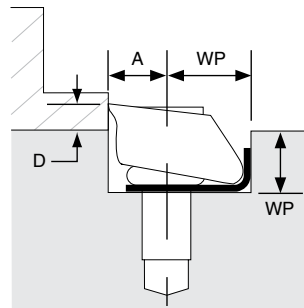
†Clamps available in bulk (50+ pieces) - see page 47.

NOTE: If gripping below recommended height, ensure clamp does not contact slot wall under load.

PITBULL® WEAR PLATE



Mitee-Bite Products introduces the Pitbull® Wear Plate. This shim provides a hard barrier between Pitbull® Clamp and fixture, preventing distortion of back wall when using aluminum or mild steel fixtures. Simple solution to keep fixtures light, maintain full clamp travel and holding forces at max pressure. Refurbish old fixtures or add to existing aluminum fixtures to maximize machining capabilities.



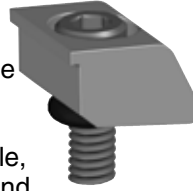
When using Wear Plate, increase WP .025"/.63mm to maintain same A and D dimensions.

Part No.	Screw Size	Pitbull Part Number	No. of Plates Per Pack
26001	4-40	26000, 26010, 26015	8
	M2.5	56000, 56010, 56015	
26021	8-32	26020, 26030, 26040	8
	M4	56020, 56030, 56040	
26051	1/4-20	26050, 26060, 26065	6
	M6	56050, 56060, 56065	
26071	3/8-16	26070, 26075, 26077	4
	M10	56070, 56075, 56077	
26081	1/2-13	26080, 26085, 26088	2
	M12	56080, 56085, 56088	

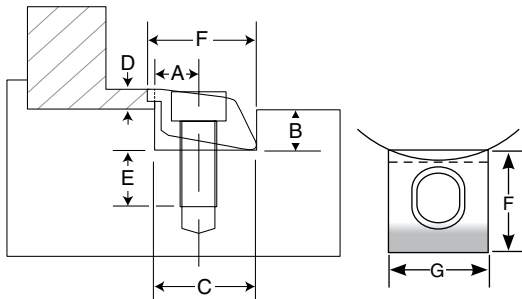
Machinable Pitbull® Clamps



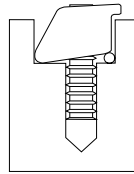
The popular Pitbull® Fixture Clamp is now available in a machinable version. The clamp has positive down force and a very low gripping profile, reducing material cost and number of operations.



The Machinable Pitbull® Clamp is made of A2 tool steel and heat treated to about 43RC for long life, yet still machinable. There is additional material on the clamping face to allow for machining a radius. It is available in two sizes with 6,000 and 12,000 lbs. (26000 and 50000 N) of holding force. Dowel pins are included in each package to locate clamps while machining radius.



Tighten clamp on dowel pin for proper location for machining clamp. Remove pin and install o-ring to clamp workpiece.



Maximum recommended stock removal from centerline of clamp:
 26077 = .060 26088 = .180
 (56077 = 1.5mm) (56088 = 4.5mm)

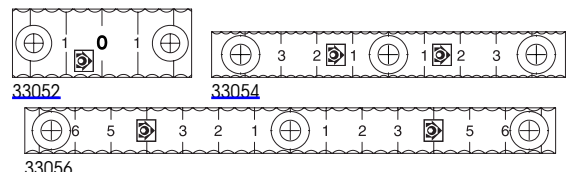
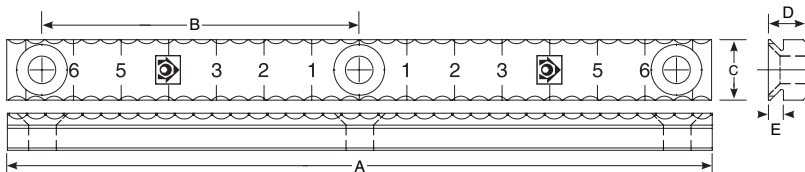
	Part Number	Desc.	A	B	C	D*	E	F	G	Screw Size	Max. Torque**	Total Holding Force	Total Throw	Dowel Pin	Clamps Per Package	Repl. O-ring
INCH	26077	Tool Steel	.400	.450	1.00	.250	.710	1.075	1.00	3/8-16	30.0 (Ft/Lbs)	6,000 (Lbs)	.050	1/8	4t	26078
	26088	Tool Steel	.600	.640	1.50	.375	.770	1.70	1.50	1/2-13	108.3 (Ft/Lbs)	12,000 (Lbs)	.075	1/4	2t	26083
METRIC	56077	Tool Steel	10.16	11.43	25.4	6.35	18.0	26.9	25.4	M10	40.6 (N.m)	26,000 (N)	1.27	3.18	4	26078
	56088	Tool Steel	15.24	16.26	38.1	9.52	19.6	42.6	38.1	M12	145.0 (N.m)	50,000 (N)	1.90	6.35	2	26083

D* - Minimum clamping height **Maximum torque is not necessary. Normally half that value is sufficient.

†Available in bulk (50+ pieces) - see page 47.

TalonGrip™ Long Length Serrated Grips

The TalonGrip™ Long Length Serrated Grips are now available. These new grips are designed as a “drop fit” into our original TalonGrip™ jaw sets or for use on a fixture, with a gripping height range of .050 – .160". For applications where specific grip location is not necessary or higher and full length penetration is desired. Made from S7, heat-treated and finished with a black oxide coating. We also laser engraved each grip with a 10mm scale for reference on repeatable part placement.



Part No.	Description	A (metric)	B (metric)	C (metric)	D (metric)	Gripping Height/E (metric)*	Fits Jaw Set	Per Pack
33052	Talngrip™ Long Length Serrated Grip	1.969" (50.01mm)	1.500" (38.10mm)	.750" (19.05mm)	.367" (9.32mm)	.050"-.160" (1.27 - 4.06mm)	32088	2/pk
33054	Talngrip™ Long Length Serrated Grip	3.888" (98.75mm)	1.624" (41.25mm)	.500" (12.70mm)	.307" (7.79mm)	.050"-.125" (1.27 - 3.17mm)	32044/32068	2/pk
33056	Talngrip™ Long Length Serrated Grip	5.832" (148.13mm)	2.625" (66.68mm)	.500" (12.70mm)	.307" (7.79mm)	.050"-.125" (1.27 - 3.17mm)	32066	2/pk

NOTE: 10-32x1/2 and M5x12 screws provided. Due to the similar thread pitch on both of these screws, either may be used in M5 threaded holes as long as they do not exceed 1" (25mm) in length. The 10-32 seats better in the gripper rail and is less likely to bind during removal.

*Gripping height is .157" (3.99mm) for 33052 and .117" (2.97mm) for 33054/33056 when mounted to our standard vise jaws.

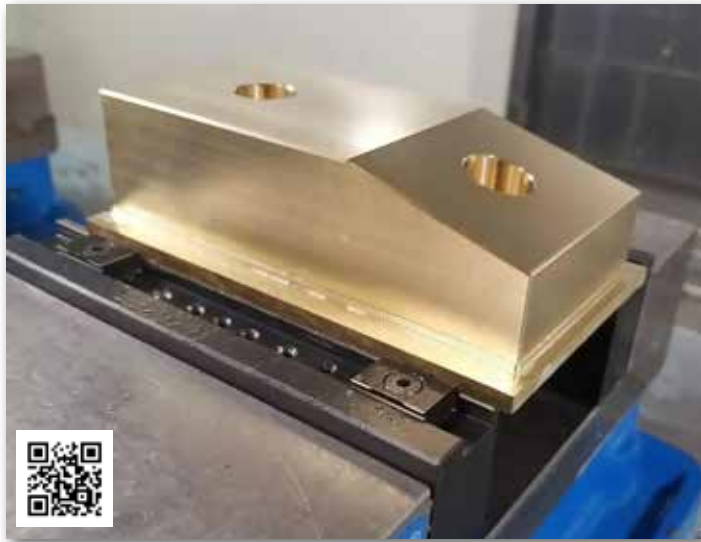


Your workholding specialists!

800-543-3580 MiteeBite.com

LOW PROFILE

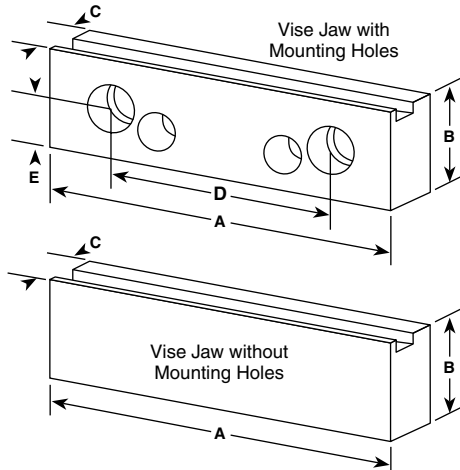
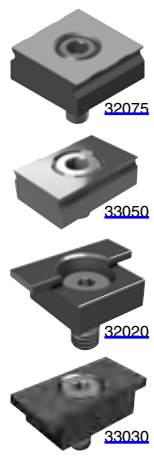
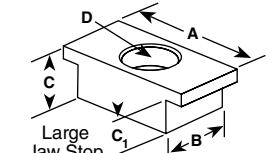
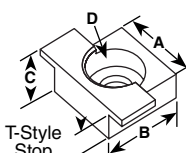
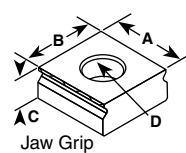
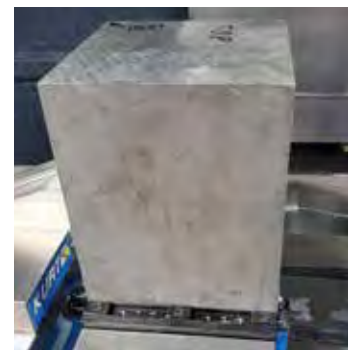
TALONGRIP™ VISE JAWS



Mitee-Bite Products introduces a new and innovative product that will increase the functionality of your standard 4, 6, and 8 inch (100mm, 150mm and 200mm) vises. TalonGrip™ is a simple bolt on system that will allow you to perform aggressive machining operations while clamping on as little as .060 (1.5mm) of an inch. Ideal for small lot sizes, difficult applications or proto-type work when building a fixture would not be beneficial. Great option when using the carrier method and for saving material costs. TalonGrips™ are also available individually for fixturing with Pitbull® and Dyna-Force® Clamps or for custom soft jaw applications.

For more versatility, 6" and 8" Jaw Sets are tapped with 2 additional holes to accept our M4 Pitbull® Clamps (M6 for 32088). This is an effective solution when downforce or additional holding force is necessary.

Our 1018 steel jaws are not heat-treated to allow for custom modifications. Grips are heat treated tool steel.



FIXTURE GRIPS & STOPS

	Part No.	Description	A	B	C	C ₁	D	Recommended Gripping Height	No. Per Pack
INCH	32050	Grips	.75	.500	.250	-	10-32	.060-.075	2*
	32020	Stop	.50	.500	.250	.195	10-32	-	1
	32030	Stop	1.00	.500	.312	.220	10-32	-	1
	32075	Fixture Grips	.75	.750	.312	-	10-32	.060-.120	2*
	32100	Fixture Grips	.75	1.000	.312	-	10-32	.060-.120	2
	32150	Fixture Grip	1.00	1.000	.500	-	5/16-18	.060-.220	1
METRIC	33050	Grips	19.05	12.7	6.35	-	M5	1.5mm-1.9mm	2*
	33020	Stop	12.7	12.7	6.35	4.95	M5	-	1
	33030	Stop	25.4	12.7	7.92	5.59	M5	-	1
	33075	Fixture Grips	19.05	19.05	7.92	-	M5	1.5mm-3.0mm	2*
	33100	Fixture Grips	19.05	25.4	7.92	-	M5	1.5mm-3.0mm	2
	33150	Fixture Grip	25.4	25.4	12.7	-	M8	1.5mm-5.6mm	1*

*Available in bulk (50+ pieces) - see page 47.

STEEL VISE JAW SET (All jaws tapped metric) - Includes: 2 Jaws, 4 TalonGrips™, 1 stop, M5 screws

Part Number	Vise (metric)	A (metric)	B (metric)	C (metric)	D (metric)	E (metric)	Replacement	
							Grips	Stops
WITH MOUNTING HOLES								
32044	4" (100mm)	4.0 (100)	1.48 (37.59)	1.0 (25.4)	2.5 (63.5)	.688 (17.47)	33050 (2/pk)	33020 (1 ea.)
32066	4 1/8" (100mm/150mm)	6.0 (150)	1.73 (43.94)	1.0 (25.4)	2.5/3.88 (63.5/98.55)	.688/.94 (17.47/23.87)	33050 (2/pk)	33020 (1 ea.)
32068	6" (150mm)	8.0 (200)	1.73 (43.94)	1.0 (25.4)	3.88 (98.55)	.94 (23.87)	33050 (2/pk)	33020 (1 ea.)
32088	6 7/8" (150mm/200mm)	8.0 (200)	2.45 (62.23)	1.25 (31.75)	3.87/4.75 (98.3/120.65)	.94/1.218 (23.88/30.94)	33075 (2/pk)	33030 (1 ea.)
WITHOUT MOUNTING HOLES								
33044	-	4.0 (100)	1.48 (37.59)	1.0 (25.4)	-	-	33050 (2/pk)	33020 (1 ea.)
33066	-	6.0 (150)	1.73 (43.94)	1.0 (25.4)	-	-	33050 (2/pk)	33020 (1 ea.)
33068	-	8.0 (200)	1.73 (43.94)	1.0 (25.4)	-	-	33050 (2/pk)	33020 (1 ea.)

LOW PROFILE

VERSAGRIP™ VISE JAWS



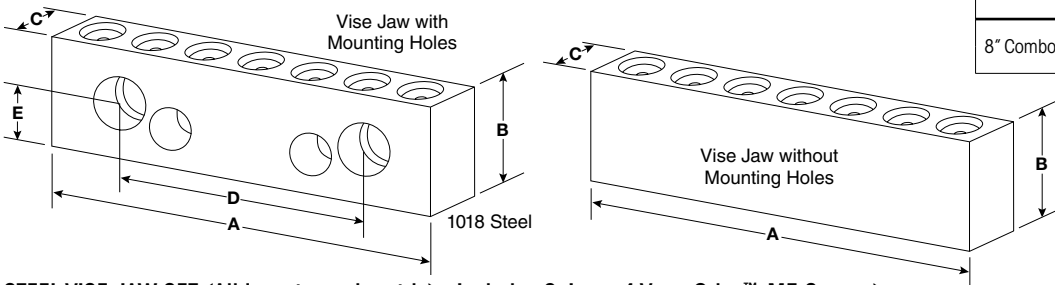
VersaGrip™, as the name implies, offers the versatility of clamping standard vise work as well as providing a solution for difficult applications that would normally require fixturing or machining soft-jaws. By simply replacing your current jaws with the VersaGrip™ system you can securely hold odd shaped parts while machining at speeds and feeds you never thought possible.

This system can accommodate a wide range of part sizes as well as holding multiple parts in a single cycle. The hardened tool steel VersaGrip™ has penetrating teeth designed to bite into your workpiece preventing lateral and horizontal movement. These grips will hold flame cut parts, castings, and even parts with a negative draft! 1018 steel jaws are not heat-treated to allow for custom modifications.



TALONGRIP & VERSAGRIP COMBO KITS

Description	Part No.	Contents
6" Combo Kit	33006	32066 6" Talongrip™ Vise Jaw Set
		32166 6" VersaGrip™ Vise Jaw Set
8" Combo Kit	33008	32068 8" Talongrip™ Vise Jaw Set
		32168 8" VersaGrip™ Vise Jaw Set



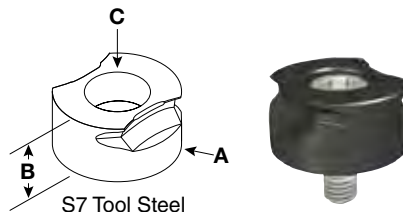
STEEL VISE JAW SET (All jaws tapped metric) - Includes 2 Jaws, 4 VersaGrips™, M5 Screws)

Part Number	Vise (metric)	A (metric)	B (metric)	C (metric)	D (metric)	E (metric)	Holes
WITH MOUNTING HOLES							
32166	4"/6" (100mm/150mm)	6.00 (150)	1.88 (47.75)	1.0 (25.4)	2.5/3.88 (63.5/98.55)	.688/.94 (17.47/23.87)	7
32168	6" (150mm)	8.00 (200)	1.88 (47.75)	1.0 (25.4)	3.88 (98.55)	.94 (23.87)	9
WITHOUT MOUNTING HOLES							
33166	-	6.00 (150)	1.88 (47.75)	1.0 (25.4)			
33168	-	8.00 (200)	1.88 (47.75)	1.0 (25.4)			

VERSAGRIP™

	Part No.	A	B	C	Recommended Gripping Height	No. of Grips Per Pack
INCH	33175	.750	.375	10-32	.060-.140	2
METRIC	32175	19.05	9.52	M5	1.55mm-3.5mm	2*

*Available in bulk (50+ pieces) - see page 47.



LOW PROFILE



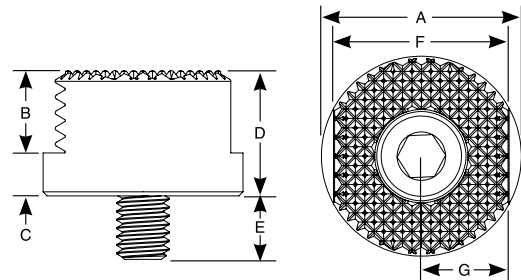
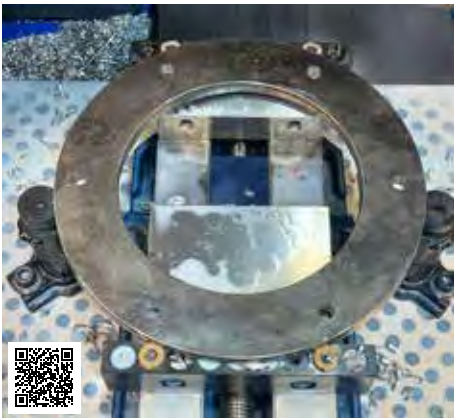
HEAVY DUTY VERSAGRIP™



These versatile clamps allow for Op 1 and Op 2 simply by rotating from serrated to smooth side. Can also be inserted into horizontal pockets (see below) for increased gripping power in custom vise jaws or hard stops. Ability to grip flat, round and odd shapes providing .300" maximum gripping height.



Independent Testing Lab maxed out their load cell @ 25,000 lbs on 2 grippers (NH Materials Lab)



Part No.	Description	A	B	C	D	E	F	G	Screw Size*	Per Pack
32170	Metric Heavy Duty VersaGrip™	19.02 / 19.05	7.85	4.09	11.94	6.05	16.81	8.41	M5 - .08x12mm SHCS	2
33170	Inch Heavy Duty VersaGrip™	.749 / .750	.309	.161	.470	.266	.662	.331	10-32 x 1/2 SHCS	2

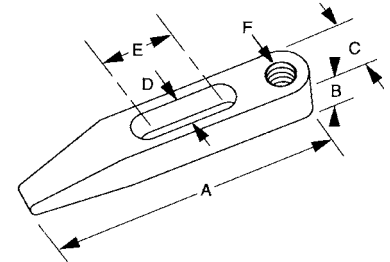
*Mounting Screws included. Metric grips (32170) fit all Mitee-Bite VersaGrip™ Jaw Sets. Inch grips (33170) are for use in fixtures.

STRAP CLAMPS



Mitee-Bite Products line of Strap Clamps incorporate a low-profile design that promotes superior clamping force in both normal and restricted areas with minimal tooling interference.

- ▶ Clamps cast from 17-4 PH SST then heat treated to condition H900.
- ▶ Guaranteed for the life of the Clamp under normal use.



	Part Number	A	B	C	D	E	F	Holding Force (Lbs)
INCH	35100	3.63	.43	.89	.400	.86	3/8 Dia. PIN	3,200
	35200	5.00	.75	1.00	.530	1.36	1/2-13	6,000
	35300	6.00	.86	1.20	.650	1.50	5/8-11	8,600
	35400	7.00	1.06	1.40	.780	1.50	3/4-10	15,700
								(N.)
METRIC	36100	92	11	22.6	10.4	22.0	9.5 Dia. Pin	14234
	36200	127	19	25.4	13.4	34.5	M12	26689
	36300	152	22	30.5	16.5	38.1	M16	38254
	36400	178	27	35.6	19.8	38.1	M20	69837



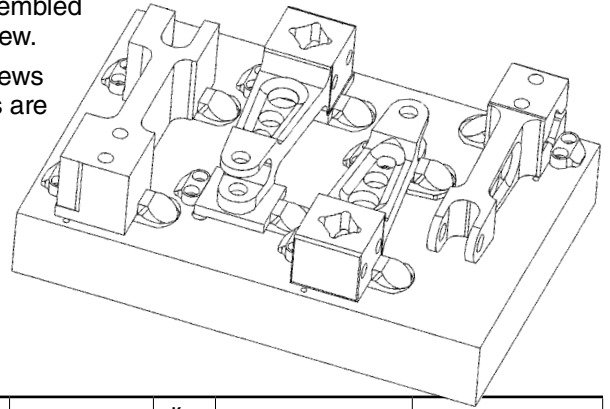
LOW PROFILE

DYNA-FORCE® CLAMPS

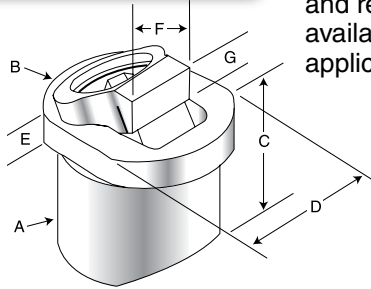


The majority of the Dyna-Force® clamp is below the surface of the fixture which provides excellent clamp support and makes for a very low profile. The clamp jaw slides on an angle for positive downforce.

- ▶ Incredible clamping and hold down power
- ▶ Low profile, compact design
- ▶ 17-4 PH stainless steel
- ▶ Smooth or serrated jaws
- ▶ Clamp comes assembled with alloy steel screw.
- ▶ Stainless steel screws and retaining rings are available for EDM applications.



Part Number	Replacement Insert*
28314	28480 (20mm smooth)
28318	28482 (20mm serrated)
28320	28484 (25mm smooth)
28322	28486 (25mm serrated)
28324	28488 (30mm smooth)
28328	28490 (30mm serrated)

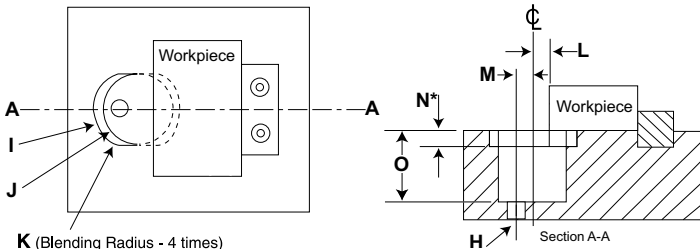


*Includes screw and retaining ring

Part Number	Clamp Jaw† & Hardness	A*	B	C	D	E	F	G			Clamp Travel	Drive Screw	Key Size	Maximum Torque**	Holding Force
								Min	Optimum	Max					
28314	Smooth 34RC	20.00	24.90	19.00	19.90	4.50	13.50	3.25	5.00	6.75	2.0	M6x12mm SHCS	5mm	7.3 (Ft/Lbs) - 9.9 (N.m)	2,000 (Lbs) - 8896 (N.)
28318	Serrated 44RC														
28320	Smooth 34RC	25.00	29.90	24.00	24.90	5.00	15.00	4.50	6.50	8.25	2.2	M8x16mm SHCS	6mm	17.6 (Ft/Lbs) - 23.9 (N.m)	2,600 (Lbs) - 11565 (N.)
28322	Serrated 44RC														
28324	Smooth 34RC	30.00	37.90	29.00	29.90	7.00	20.00	4.50	7.50	10.75	3.8	M10x18mm SHCS	8mm	35.3 (Ft/Lbs) - 41.9 (N.m)	3,200 (Lbs) - 14234 (N.)
28328	Serrated 44RC														

A* - Body diameter † - Smooth jaw only will have relief cut **Maximum torque is not necessary. Normally half that value is sufficient.

PATENT NO. 5964458



K (Blending Radius - 4 times)

Part Number	H	I	J	K	L	M	N	O
28314	M5 or 10-24 SHCS	25.00	20.00	6.00	4.90	5.00	4.50	20.00
28318	M5 or 10-24 SHCS	25.00	20.00	6.00	4.90	5.00	4.50	20.00
28320	M6 or 1/4-20 SHCS	30.00	25.00	6.50	5.65	6.00	5.00	25.00
28322	M6 or 1/4-20 SHCS	30.00	25.00	6.50	5.65	6.00	5.00	25.00
28324	M8 or 5/16-18 SHCS	38.00	30.00	8.00	7.05	7.50	7.00	30.00
28328	M8 or 5/16-18 SHCS	38.00	30.00	8.00	7.05	7.50	7.00	30.00

Dyna-Force® Installation

1. Bore ϕ of the hole "L" distance from edge of workpiece.
2. Drill and tap "H" to mount clamp in pocket.
3. Machine counter bore if recessing clamp into fixture.
4. Provide a back stop to locate the part.

See Locating Rails on page 44.

NOTES:

1. "N*" - To have rest pad flush with fixture, use the dimension provided. To have the rest pad above the fixture surface, reduce the depth accordingly.
2. For dimensions I and J, use a tolerance of $\pm .1/0$ mm. For dimension L and O, use $\pm .1/-.1$ mm.

HEIGHT OF JAW IN RELATION TO ϕ OF BORE FROM EDGE OF WORKPIECE.

Height of Jaw	20mm	25mm	30mm
G	L	L	L
3.25	5.91		
3.50	5.77		
3.75	5.62		
4.00	5.48		
4.25	5.33		
4.50	5.19	6.81	8.78
4.75	5.05	6.66	8.63
5.00	4.90	6.52	8.49
5.25	4.76	6.37	8.35
5.50	4.61	6.23	8.20
5.75	4.47	6.08	8.06
6.00	4.32	5.94	7.91
6.25	4.18	5.80	7.77
6.50	4.03	5.65	7.62
6.75	3.89	5.51	7.48
7.00		5.36	7.34
7.25		5.22	7.19
7.50		5.07	7.05
7.75		4.93	6.90
8.00		4.78	6.76
8.25		4.64	6.61
8.50			6.47
8.75			6.33
9.00			6.18
9.25			6.04
9.50			5.89
9.75			5.75
10.00			5.60
10.25			5.46
10.50			5.31
10.75			5.17

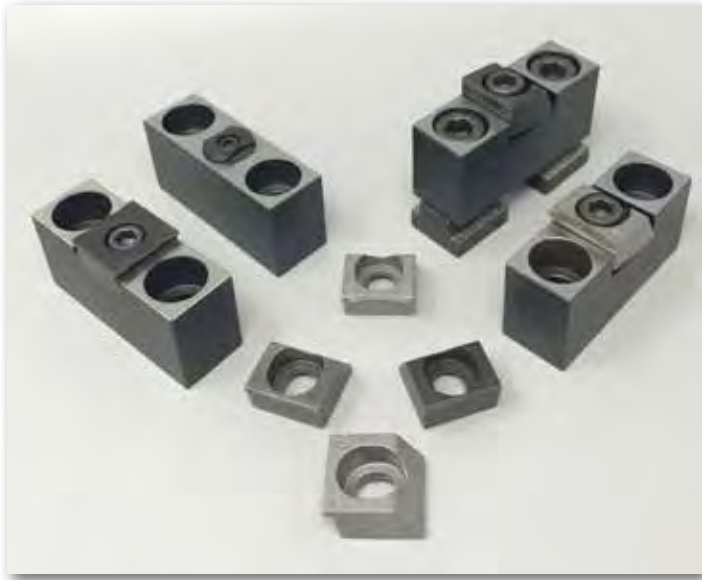
Example: 20mm clamp when ϕ of bore is 4.90mm from edge of workpiece (L - see drawing on left); jaw height is 5.00mm (G - see drawing above).



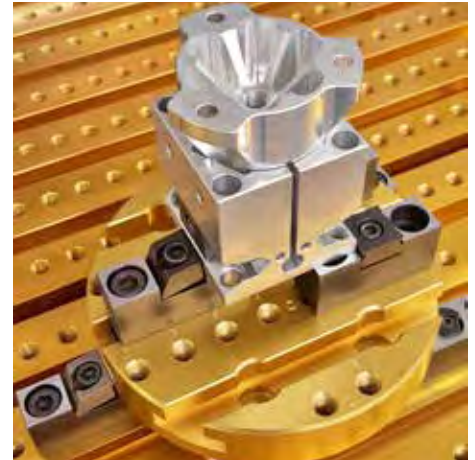
LOW PROFILE



MODULAR IN-LINE CLAMPING SYSTEM

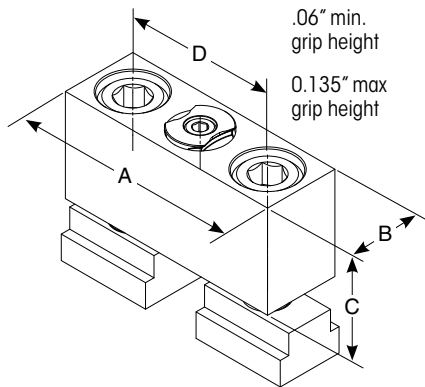


Mitee-Bite announces the addition of our popular fixture clamps in a modular system. Clamps, grips and stops, designed to be fully adjustable while mounted on T-Slot tables and grid plates. This system is designed around our Pitbull® Clamp which remains the strongest, lowest profile fixture clamp in the industry. Producing over 6,000 pounds of force. Available with Knife-Edge, Blunt-Edge or Machinable faces to suit your applications, all producing positive downforce. Low-profile stops and grippers incorporated into design for less tooling interference and savings on material cost. These modular clamps and stops are ground to the same height as our Large Modular Pitbull® Clamp (page 6) providing even greater versatility.

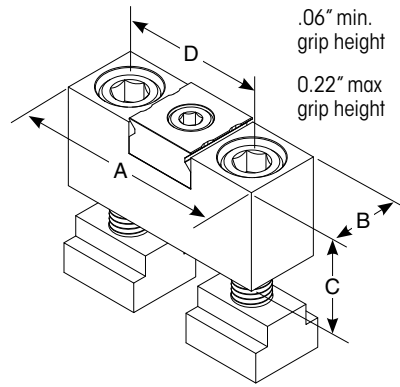


- ▶ Mount with your existing T-nut directly to your work table, or mount to grid plate using our Tungsten Carbide faced high grip T-Nuts, 16" Long T-Nut Rail, or fasten directly to table using socket head cap screw.
- ▶ Stops with TalonGrip™ or VersaGrip™ to hold both rectangular and irregular/round shapes
- ▶ Height of gripper can be adjusted by depth of slot or bore.

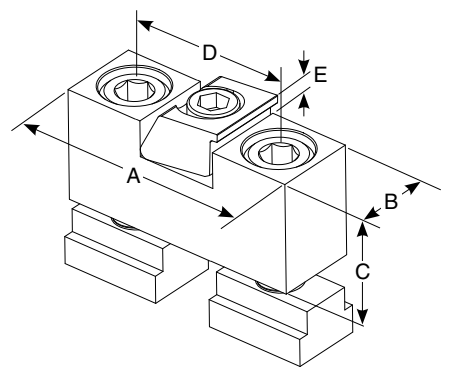
INLINE STOP WITH VERSAGRIP™



INLINE STOP WITH TALONGRIP™



INLINE CLAMP WITH PITBULL® CLAMP



Part No.	Description	A	B	C	D	E
41125	Inline Stop with Versagrip™	75mm (2.952")	25.4mm (1.00")	35.0mm (1.378")	50mm (1.97")	-
41135	Inline Stop with Talongrip™	75mm (2.952")	25.4mm (1.00")	35.0mm (1.378")	50mm (1.97")	-
41225	Inline Clamp with Pitbull KNIFE EDGE	75mm (2.952")	25.4mm (1.00")	35.0mm (1.378")	50mm (1.97")	6.4mm (.25")
41226	Inline Clamp with Pitbull BLUNT EDGE	75mm (2.952")	25.4mm (1.00")	35.0mm (1.378")	50mm (1.97")	6.4mm (.25")
41227	Inline Clamp with Pitbull MACHINABLE	75mm (2.952")	25.4mm (1.00")	35.0mm (1.378")	50mm (1.97")	6.4mm (.25")

HIGH GRIP, MEDIUM GRIT, TUNGSTEN CARBIDE COATED T-NUTS

Includes M12x45mm mounting screws

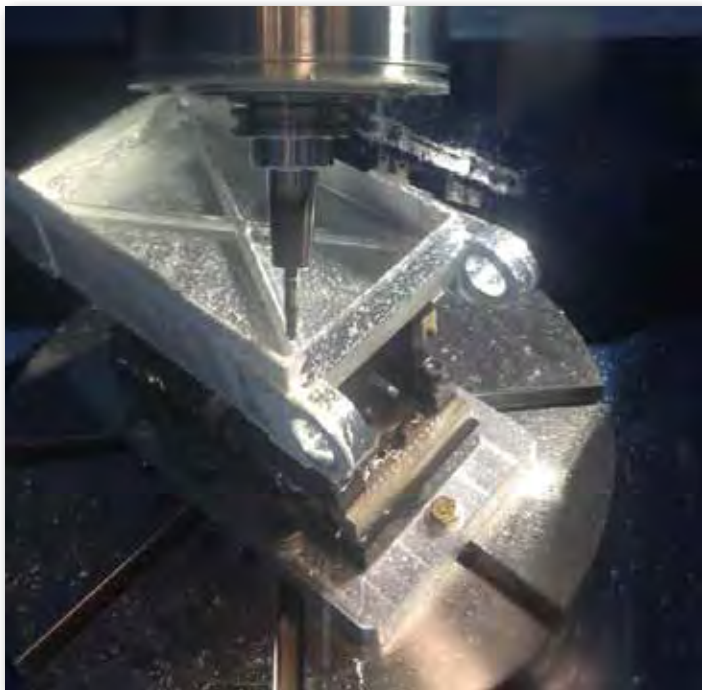
Part No.	Description	T-Slot Size
41014	Carbide coated T-nut set (2/pk)	14mm
41016	Carbide coated T-nut set (2/pk)	16mm
41018	Carbide coated T-nut set (2/pk)	18mm

Replacements

32175	Versagrip™ grips with M5 screws (2/pk)	M5x10mm SHCS
33150	Talongrip™ grips with M8 screws	M8x16mm SHCS
56070	Pitbull® M10 Knife-Edge (4/pk)	M10x25mm SHCS
56075	Pitbull® M10 Blunt-Edge (4/pk)	M10x25mm SHCS
56077	Pitbull® M10 Machinable (4/pk)	M10x25mm SHCS

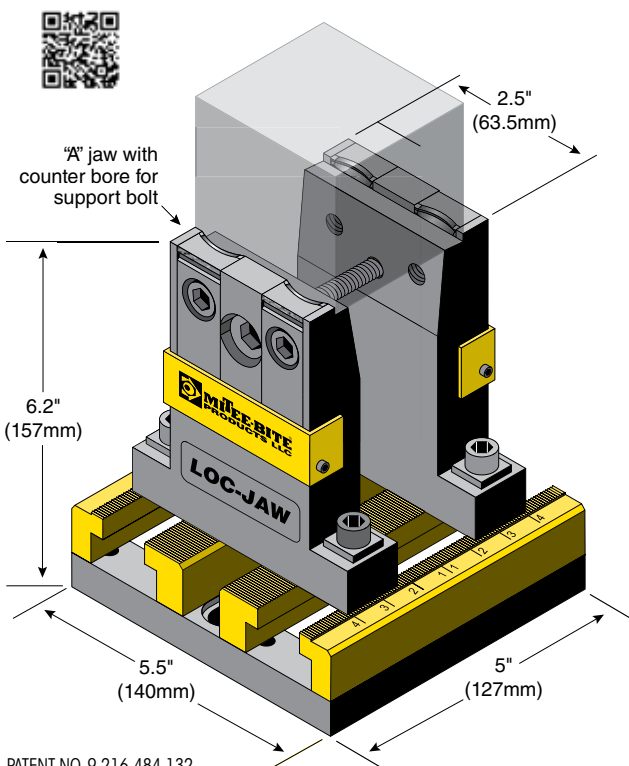
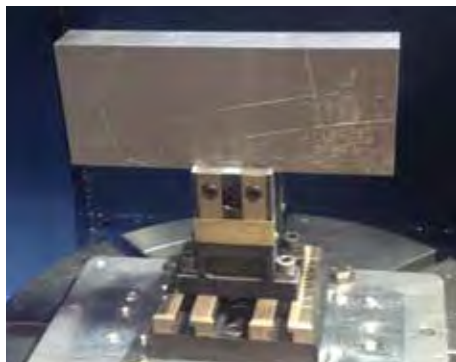


LOC-JAW® SYSTEM



The Loc-Jaw® system was conceived to simplify, and allow greater tooling access and more versatility securing your parts when 4th and 5th axis machining. Designed to hold raw stock without a pre-op using the carrier method. New Combo Edge Grippers incorporate both Knife and Blunt-Edges in one grip.

- ▶ Unique design allows access to bottom of workpiece
- ▶ Ability to hold parts from .500" to 4.00" or up to 1 Meter with optional extension kit
- ▶ 6,000+ lbs of holding force gripping on only .125" of material
- ▶ Knife Edge side of grippers designed to penetrate into material up to .060" deep. Blunt-edge side of grippers with our Tungsten Carbide coating are recommended for high speed machining on hard alloys. All grippers heat treated A2.
- ▶ Centering Disk included for Loc-Jaw® base
- ▶ Set of locating pins included. (Liners installed in base - see page 44)



Part Number	Description
14500	Loc-Jaw® System - Ships fully assembled with all tools required
14525	Loc-Jaw® Extension Kit - includes base plate with rails, threaded rod 1 meter long and locking nut with spacer

Max. Torque* (Ft/lbs)	Holding Force (lbs)
10	2,000
15	3,000
20	4,000
25	5,000
30	6,000

REPLACEMENT PARTS

Part Number	Description
14501	Loc-Jaw® Support Bolt #1 (M10 x 45mm)
14502	Loc-Jaw® Support Bolt #2 (M10 x 65mm)
14503	Loc-Jaw® Support Bolt #3 (M10 x 90mm)
14504	Loc-Jaw® Support Bolt #4 (M10 x 110mm)
14508	Loc-Jaw® Combo-Edge Grippers (1 side knife edge, 1 side blunt edge with Tungsten Carbide coating, 2 per pack)
14518	Loc-Jaw® Jaw Set - includes 2 Jaws, 4 Combo-Edge Grippers & Screws
14520	Loc-Jaw® Rail Set - includes 4 Rails, Screws, Dowel Pin

NOTE: Max torque of 25 ft. lbs. using Knife Edge grippers on material > 40Rc due to point contact.

*Maximum torque is not necessary. Normally half that value is sufficient.

PATENT NO. 9,216,484,132



MITEE-GRIP GEN II

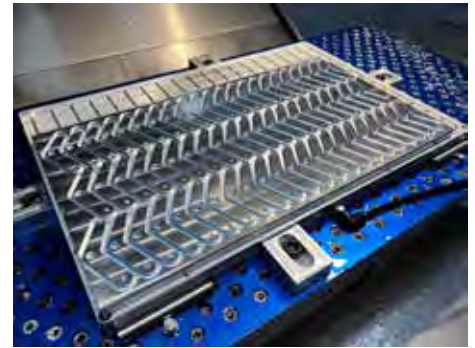


NEW!

The next generation in low temp wax workholding has arrived. Prior to these new compounds some materials were next to impossible to secure to withstand machining forces especially phenolic, glass, honeycomb and most plastics.

Our testing identifies the Red and Blue being best for hard to hold materials producing over 10x the holding force as our original wax and the White with similar properties with more than double the holding force. Red and White application temperature of 130°F, Blue 170°F. This is the transition temp from solid to liquid, higher temperatures can be used to speed up your process however *we recommend you test your application retention force prior to machining. Do not exceed 350°F.*

HEAT ACTIVATED



First time users, we suggest using a hot plate

- Clean subplate and parts with alcohol based cleaners.
- Use tongs or gloves when you're cooking!
- Level, shim hot plate (check by placing ball bearing on subplate).
- Place small piece of Mitee-Grip on subplate while pre-heating. Once piece begins to melt, rub wax stick on subplate until desired amount is applied.
- Warm workpiece at the same time with subplate... never place cold workpiece on liquefied wax.
- When part begins to float wax has fully liquefied.
- Clamp or place weight on part to force excess wax from underneath. This will also stabilize part and be a major factor in precise flatness and parallelism. Removable T-pins are a good idea to keep part in place if not using clamps or weights, as parts may slide or float. If locating part in nest no pins should be necessary.
- Remove from heat and allow to cool to room temperature - using a fan will speed up the process. Never place in freezer!
- Ready to machine!
- Use plenty of coolant while machining, heat is the enemy.
- Re-heat to remove and experiment best way to remove residue - heat, shop air while liquid, scrape, alcohol based cleaners, and ultra sonic cleaner are all good options.



Video and images courtesy of Ingenuity Precision

Part No.	Color	Application Temperature	Holding Force	Hardness	Qty.
10230W	White	130°F	150 Psi	40 Shore A (med. soft)	(5) 3 oz. sticks
10230R	Red	130°F	300 Psi	10 Shore D (med. hard)	(5) 3 oz. sticks
10230B	Blue	170°F	400 Psi	20 Shore D (med. hard)	(5) 3 oz. sticks



Scan QR code to watch video of Mitee-Grip GEN II's amazing holding force!



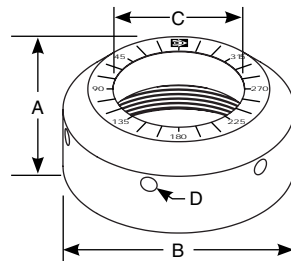
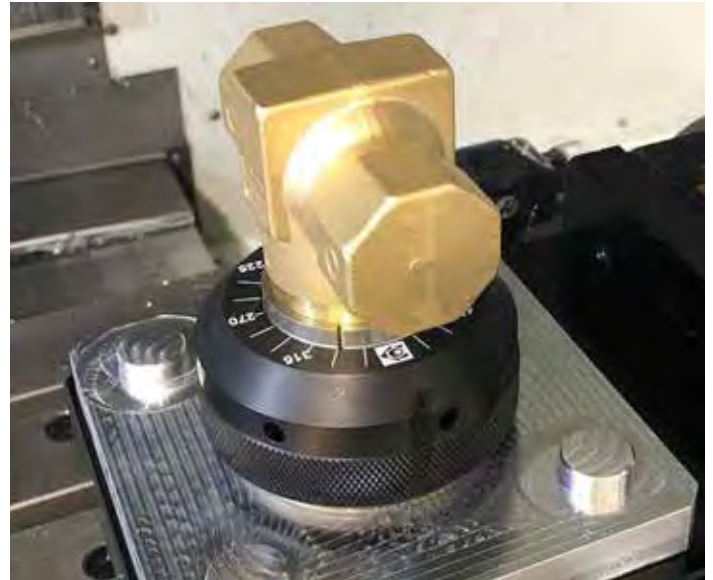
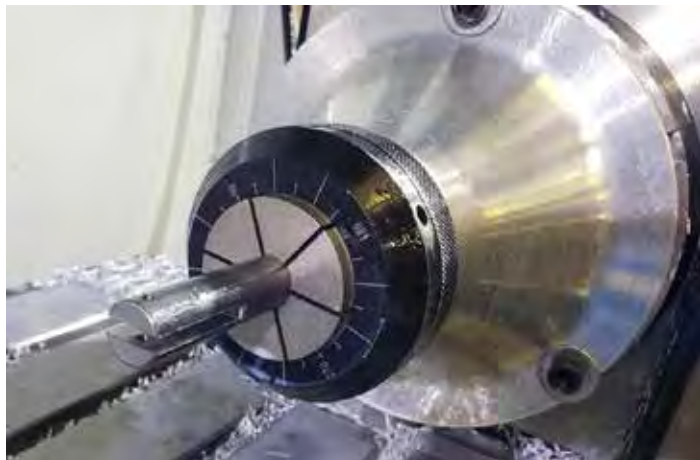
"We used the blue Mitee-Grip GEN II on 1/2"x1/2"x.070" parts on a 12"x12"x1/8" aluminum sheet and it performed perfectly. How do we get our hands on more ASAP?!"
 Matthew Macys, Faulhaber Micromo

CONCENTRIC O.D. CLAMP



New Style OD Clamp Making Innovation Easy

Mitee-Bite Products just completed the design and development of a new style Concentric Outside Diameter (OD) clamping tool. Repeats within tenths, compact for high density application and tough enough to limit yourself to tooling capabilities. This Patent Pending design can be machined, to hold any shape, completely through clamp (F) and fixture plate as well as gripping workpiece above compression nut. 15° incremental laser engraved indicators on large cap (22.5° on small cap) for applying repeatable torque without torque wrench and for applying preload (15°-45°) when machining clamps to actual workpiece dimensions.



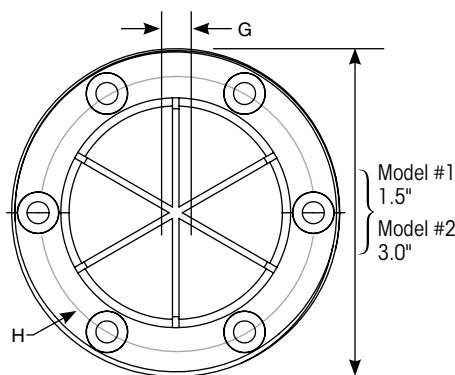
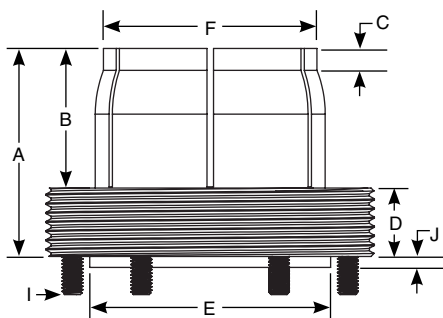
Cap

Model #	A	B	C	D
#1	1.000	2.000	.790	.250
#2	1.425	3.500	1.990	.250

Torque = 0° Rotation = Force

Torque ft/Lbs	Model #1 (PN 37100) Degree of Rotation*	Force lbf	Model #2 (PN 37200) Degree of Rotation*	Force lbf
10	43°	650	20°	400
20	66°	1,300	31°	800
30	88°	1,950	37°	1,200
40	111°	2,600	44°	1,600
50	133°	3,250	49°	2,000
60	165°	3,900	53°	2,400
70	-	-	56°	2,800
80	-	-	60°	3,200
90	-	-	65°	3,600
100	-	-	67°	4,000

*Beginning with clamp touching part. Every 15° of rotation compresses large clamp .002" (small clamp .001") without workpiece installed.



Part No.	Model No.	A	B	C	D	E ^{+0.000} _{-.002}	F	G†	H	I*	J	Maximum Holding Diameter	Replacement	
													Base	Cap
37100	#1	1.400	.900	.183	.500	.940	.750	.100	6-32 (M3) on 1.140" (28.95mm) BHC	.275" (7mm) Deep	.100	.625	37125	37150
37200	#2	1.900	1.275	.200	.625	2.200	1.95	.200	10-32 (M5) on 2.515" (63.88mm) BHC	.475" (12mm) Deep	.100	1.800	37225	37250

NOTE: (12) Mounting Screws included (inch and metric) † - Minimum holding diameter I* - Minimum top depth

PATENT NO. 62-983,226



Your workholding specialists!

800-543-3580 MiteeBite.com

EXTERNAL/INTERNAL

ID XPANSION™ CLAMP



The ID Xpansion™ clamp is the ideal solution to hold parts on an inside diameter for high density machining on vertical or horizontal machining centers. It can also be used as an expanding mandrel on a lathe.

These machinable clamps are produced in 12L14 steel with black oxide coating in 12 sizes and can hold internal diameters from under 3/16 to almost 10 inches (4.1 to 254mm). #10 manufactured using 7075-T6 aluminum.

The flange diameter of the clamp is held to a close tolerance for precision locating in a machined pocket on work cubes and fixture plates.

The customer machines the mild steel clamp to match the bore of the part ensuring a proper fit. Often times the clamps can be remachined for different size jobs.

The low profile ID Xpansion™ Clamp can hold several parts in one compact area for secondary operations without any clamping interference. They are quickly tightened with a hex key, torque driver or can be mated to hydraulic pull cylinders for automation.



- ▶ Low profile
- ▶ Ideal for secondary operations on lathe parts
- ▶ Easily machined to size on lathe or mill
- ▶ Excellent for palletized setups
- ▶ Allows more parts per workcube or fixture plates
- ▶ Heat-treated and coated screw for long life
- ▶ Clamp body made of mild steel for machinability
- ▶ Tighten with hex key or hydraulic pull cylinders
- ▶ Longer screws available for hydraulic applications

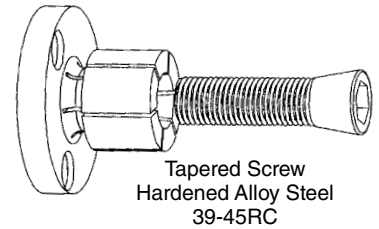


EXTERNAL/INTERNAL

ID Xpansion™ Clamp Machining and Installation

Model #00 - #6

- ▶ Expand ID Clamp approximately .002" to .003" (.075mm) above the relaxed diameter and machine to fit the workpiece bore on a lathe or milling machine.
- ▶ If machining the ID Clamp on a lathe, use the supplied hex nut against the back of the flange to tighten the tapered screw. This nut is only used for machining the ID Clamp.
- ▶ Machine a counterbore in the fixture for the "E" dimension flange. Drill and tap (D&T) the fixture for the mounting holes per column "H." D&T thread "I" in the center of the counterbore for the Tapered Screw.
- ▶ Maximum recommended expansion from fully relaxed for the #00 through #6 ID Clamps is as follows: #00 Ø.005" (Ø.13mm); #0 Ø.010" (Ø.25mm); #1 Ø.013" (Ø.33mm); #2 Ø.015" (Ø.38mm); #3 Ø.015" (Ø.38mm); #4 Ø.015" (Ø.38mm); #5 Ø.015" (Ø.38mm); #6 Ø.015" (Ø.38mm).



Longer tapered screws available, page 47

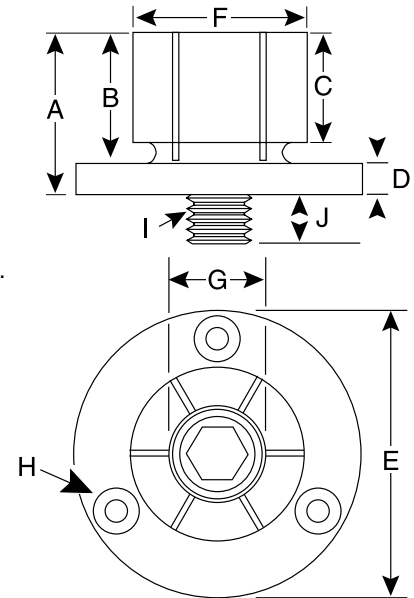
Model #7 - #10

- ▶ A Locking Ring (LR) is provided to ensure the clamping segments are rigid for machining the ID Clamp to the workpiece bore size. The #10 ID Clamp is supplied with 2 Locking Rings so it can be machined/reused at a smaller size than the large Locking Ring will allow it to be used. Do not attempt to use the two Locking Rings simultaneously with the #10 ID Clamp.
- ▶ To machine ID Clamp, insert the LR and torque the Tapered Screw to approximately 40 ft./lbs. (55 Nm). Machine down to within +Ø.003 to +Ø.005" (+Ø.08mm to +Ø.13mm) over the low limit bore size of the workpiece. Loosen the Tapered Screw to remove the Locking Ring and test fitment with workpiece. If workpiece fitment is too tight, repeat the machining process to achieve as close a fit to the low limit size of the workpiece bore as is required/desired for the particular application.
- ▶ Maximum recommended expansion from fully relaxed for the #7 through #10 ID Clamps is as follows: #7 Ø.015" (Ø.38mm); #8 Ø.015" (Ø.38mm); #9 Ø.020" (Ø.50mm); #10 Ø.080" (Ø2.0mm).



GENERAL NOTES -ID Clamps #00 through #9 are manufactured from 12L14 "Free Machining" low carbon steel. The #10 ID Clamp is manufactured from 7075-T6511 "High Strength" aluminum alloy. Aggressive material removal rates/practices are not recommended when machining ID Clamps "to size". For blind hole applications, please see our Manual Actuators, (page 31), or contact us for the availability of custom screws and other mounting/use options.

Broached Tapered Screws available for certain sizes - see page 47.



	Part No.	Model No.	A	B	C	D	+ .000 E - .002	F	G†	H*	I	J	Max. Torque‡ (Ft/Lbs)	Holding Force (Lbs)	Replacement Tapered Screw
INCH	31000	#00	.42	.30	.24	.12	.787	.29	.16	2-56 on .540 BHC	2-56 x 1/4	.16	0.5	250	31001
	31050	#0	.86	.63	.59	.23	1.170	.49	.28	6-32 on .825 BHC	8-32 x 1	.30	3.6	950	31002
	31100	#1	.98	.75	.59	.23	1.240	.56	.48	6-32 on .910 BHC	1/4-20 x 1 1/4	.50	13.3	1,900	31010
	31150	#2	.98	.75	.59	.23	1.476	.79	.53	6-32 on 1.140 BHC	5/16-18 x 1 1/4	.56	27.6	2,500	31020
	31200	#3	1.13	.88	.69	.25	1.968	1.06	.71	8-32 on 1.550 BHC	3/8-16 x 1 1/2	.71	49.3	4,500	31032
	31250	#4	1.25	1.00	.81	.25	2.205	1.39	.90	8-32 on 1.790 BHC	1/2-13 x 1 1/2	.71	120.0	5,900	31042
	31300	#5	1.56	1.25	1.06	.31	2.736	1.65	1.15	10-32 on 2.200 BHC	5/8-11 x 1 3/4	.79	224.0	10,000	31052
	31350	#6	1.56	1.25	1.06	.31	2.972	2.03	1.15	10-32 on 2.515 BHC	5/8-11 x 1 3/4	.79	224.0	10,000	31052
	31400	#7	1.79	1.48	1.27	.31	4.232	3.06	1.15	1/4-20 on 3.646 BHC	5/8-11 x 2	.79	224.0	10,000	31072
	31450	#8	1.79	1.48	1.27	.31	5.232	4.06	1.15	1/4-20 on 4.648 BHC	5/8-11 x 2	.79	224.0	10,000	31072
	31500	#9	1.79	1.48	1.27	.31	5.232	6.89	1.15	1/4-20 on 4.648 BHC	5/8-11 x 2	.79	224.0	10,000	31072
31550	#10**	1.79	1.48	1.27	.31	6.000	9.85	1.15	1/4-20 on 5.250 BHC	5/8-11 x 2	.79	125.0	6,000	31072	
						+ .000 E - .050							(N.m.)	(N)	
METRIC	38000	#00	10.7	7.6	6.1	3.0	20.00	7.4	4.1	M2 on 13.7 BHC	M2x12	4.1	.70	1113	38001
	38050	#0	21.8	16.0	15.0	5.9	29.72	12.4	7.1	M3 on 20.95 BHC	M4x25	7.2	5.00	4228	38002
	38100	#1	24.9	19.0	15.0	5.9	31.50	14.2	12.2	M3 on 23.1 BHC	M6x30	11.2	17.00	8455	38010
	38150	#2	24.9	19.0	15.0	5.9	37.50	20.0	13.5	M3 on 29.0 BHC	M8x30	13.2	34.00	11125	38020
	38200	#3	28.6	22.2	17.5	6.4	50.00	27.0	18.0	M4 on 39.4 BHC	M10x35	16.3	60.00	20025	38032
	38250	#4	31.8	25.4	20.6	6.4	56.00	35.3	23.0	M4 on 45.5 BHC	M12x40	20.3	150.00	26255	38042
	38300	#5	39.6	31.8	27.0	7.9	69.50	42.0	29.3	M5 on 55.9 BHC	M16x45	21.4	280.00	44500	38052
	38350	#6	39.6	31.8	27.0	7.9	75.50	51.5	29.3	M5 on 63.9 BHC	M16x45	21.4	280.00	44500	38052
	38400	#7	45.5	37.6	32.3	7.9	107.50	77.7	29.3	M6 on 92.6 BHC	M16x50	19.3	280.00	44500	38072
	38450	#8	45.5	37.6	32.3	7.9	132.90	103.0	29.3	M6 on 118.06 BHC	M16x50	19.3	280.00	44500	38072
	38500	#9	45.5	37.6	32.3	7.9	132.90	175.0	29.3	M6 on 118.06 BHC	M16x50	19.3	280.00	44500	38072
38550	#10**	45.5	37.6	32.3	7.9	152.40	250.2	29.3	M6 on 133.35 BHC	M16x50	19.3	170.00	26000	38072	

† - Minimum diameter the "F" dimension can be machined or turned down to. H* - (3) Mounting Screws included - (4) for model numbers #9 and #10.

**Model #10 Made from 7075-T6 aluminum. ‡ - Maximum torque is not necessary. Normally half that value is sufficient.

EXTERNAL/INTERNAL



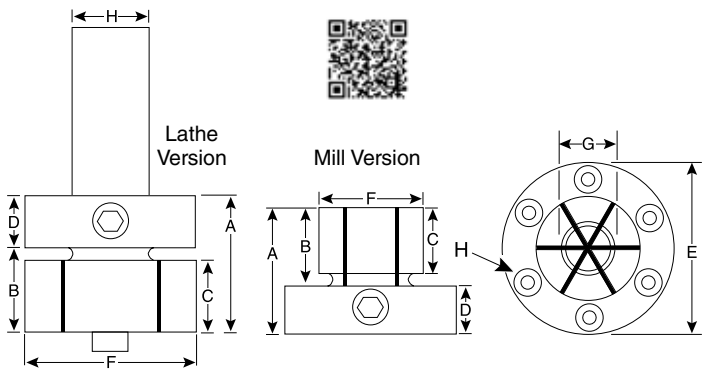
SIDE-LOC XPANSION CLAMP



The Side-Loc Xpansion Clamp is actuated from the side, making it perfect for blind hole applications. It's produced for both mill and lathe applications. The cam shaft and plunger expands the clamp from the side. Same mounting dimensions as our original ID clamp.

The Side-Loc Xpansion Clamp is actuated by turning a socket head cam shaft on the side, which moves a tapered plunger to expand the clamp. The locking ring provides an accurate preset diameter and rigidity for machining. Maximum torque on locking ring 10 ft. lbs. (13 N.m.). Like our original ID Xpansion™ clamps, the Side-Loc Xpansion Clamp has the dead length feature which is critical for close tolerance dimensions.

The Side-Loc Xpansion Clamp is designed in two styles: one for milling operations and one for lathe applications. One size is available for each model. The mill Side-Loc Xpansion Clamp can be machined from 1.120 to .710 (28.4 to 18mm) and the lathe version from 2.09 to .710 (53 to 18mm). The lathe version has a 1" (25mm) straight shank.



	Part Number	Model No.	A	B	C	D	+ .000 E - .002	F	G†	H*	Hex Key	Max. Torque‡ (Ft/Lbs)	Holding Force (Lbs)	Replacement		
														Cam Shaft (M12x30MM)	Spring	Ring
INCH	31210	Mill #3	1.625	.875	.69	.75	1.968	1.12	.71	8-32 on 1.550 BHC	M6	49**	4,000	389001	31207	31202
	31370	Lathe #6	1.750	1.000	.84	.75	NA	2.09	.71	1.0	M6	49**	4,000	389001	31207	31202
							+ .000 E - .050					(N.m.)	(N.)			
METRIC	38210	Mill #3	41.3	22.2	17.5	19.0	50.0	28.7	17.8	M4 on 39.4 BHC	M6	66**	20000	389001	31207	31202
	38370	Lathe #6	44.4	25.4	21.3	19.0	N/A	53.3	17.8	25	M6	66**	20000	389001	31207	31202

G† - Minimum diameter the "F" dimension can be machined down to.

H* - (6) mounting screws included.

** - If high cycles, run max. torque 40 Ft/Lbs or 62 N.m.

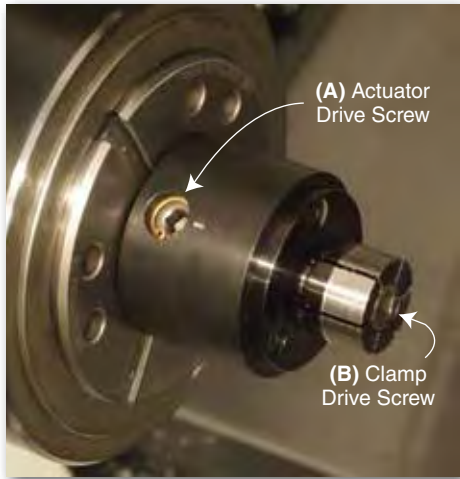
‡Maximum torque is not necessary. Normally half that value is sufficient.

- ▶ Expand Side-Loc to tighten ring. Machine it to fit workpiece bore, either on lathe or mill. *Aggressive material removal is not recommended when machining clamps to size.*
- ▶ For mill version, machine a pocket in the fixture plate for the "E" diameter and drill and tap mounting holes per the "H" column.
- ▶ A recessed dowel pin may be installed into the flange for additional rigidity if required.
- ▶ Range of expansion is .008 to .012.20mm to .30mm (.20mm to .30mm).

"Your clamps allowed us to machine very unique and difficult to clamp parts including our brake calipers, gearbox, and suspension uprights. Without your help it would have been much harder to build a fixture to hold these parts without damaging them. We certainly enjoy showing the countless tours of families, students, and industry leaders our fixtures that integrate your products and the beautiful parts that we can make using the fixtures. These clamps have drawn so much attention from nearly everyone who passes by!"

Aaron Pitzer, Kettering University

MANUAL ACTUATORS FOR MILLS AND LATHES



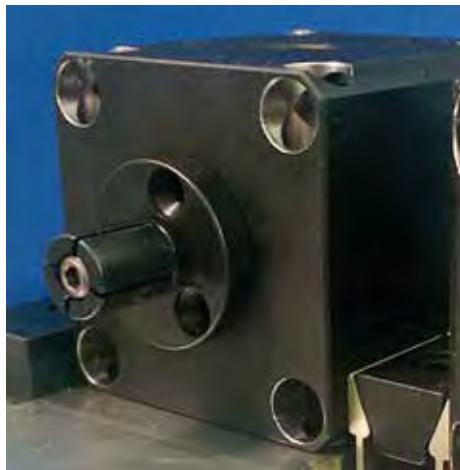
The Actuators are specifically designed for gripping the ID of blind holes but may also be incorporated in many applications that require a straight draw actuated 90 degrees from the drive screw. The Actuators are capable of gripping on bores ranging from .16" (4.1mm) to 1.39" (35.3mm) using our standard ID clamps, Models #00 through #4 (flange on #4 may require modification when mounting to Mill Actuator).

The Mill block can be mounted in several ways including on a fixture plate, for high density workholding applications, or gripped in a vise. The same bolt hole configuration can be used for both the vertical and horizontal planes.

Both styles of Actuators come completely assembled with the heat-treated cylinders tapped for the following clamp drive screws: M2, M4, M6, M8, M10 and M12.

SPECIFICATIONS:

- ▶ Manual Actuators will produce over 4,000 lbs. of pull-force with 45 ft. lbs. of torque. Do not exceed 5 ft/lbs with the M2 or 20 ft/lbs with the M4.
- ▶ Customer will mount clamps onto the Actuator according to clamp instructions. Actuators may be used with clamps other than ID Xpansion™ Clamps.
- ▶ The Mill version has 8 mounting holes with 1.75" (44.45mm) spacing for 1/4-20 (or M6) mounting bolts.
- ▶ The "top" access hole for the clamp drive screw is approximately .315" (8mm) for the M2 through M8 and .484" (12.3mm) for the M10 and M12.
- ▶ Cylinder travel is .040" (1.016mm)
- ▶ Threaded cylinders may be interchanged with our other cylinder sizes by first removing the retaining ring and the actuator drive screw and then tapping out the cylinder. This may require the use of a rubber mallet and punch.
- ▶ Threaded cylinders are heat treated to 54 RC, and have a diameter of 5/8" (15.875mm).
- ▶ Both the Mill and Lathe versions are made of 12L14 with a black oxide finish.

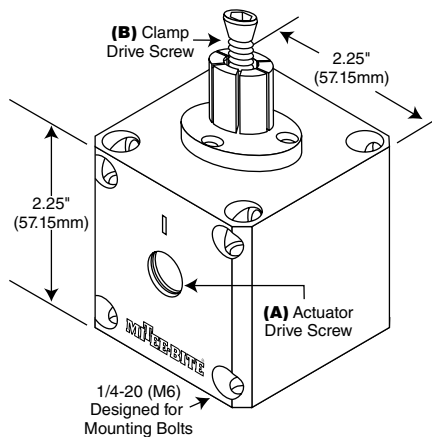


OPERATION AND USE:

- ▶ Align Indicator mark on actuating screw (A) (apex of cam) with the alignment mark on actuator housing.
- ▶ Lightly tighten clamp drive screw (B).
- ▶ Tighten actuator drive screw (A) expanding ID clamp .002 - .005" (.050 - .13mm).
- ▶ Machine clamp to size of your bore.
- ▶ Loosen actuator drive screw (A) aligning marks once again.
- ▶ Loosen clamp drive screw (B) approximately 1/8 turn.

Ready for use, load parts and tighten actuator screw. Do not exceed 45 ft/lbs of torque. Care should be taken not to over-tighten with the smaller diameter screws (M2, M4).

MILL VERSION



Part Number			Cylinder Thread
Mill	Lathe 1" Shaft	Lathe w/25mm Shaft	
34502	34602	38602	M2
34504	34604	38604	M4
34506	34606	38606	M6
34508	34608	38608	M8
34510	34610	38610	M10
34512	34612	38612	M12

Mounting Screws not included.

THREADED CYLINDER DESIGN

The improved design of the new threaded cylinder and drive screw now offer 13% more actuator total travel (.051"/1.3mm) and 12% more bearing area on the drive screw.

The original threaded cylinder and drive screw would expand our ID Xpansion™ Clamp between 0.013"-0.014" (0.33-0.036mm). The improved components will expand our ID Xpansion™ Clamp in the range of 0.0175" (0.45mm).

Note for replacements: If you need to purchase a replacement cylinder or drive screw they must be purchased together. The original components will not work with improved version. *For example:* If you require a replacement cylinder you must also purchase the drive screw as the old drive screw is not compatible with the new cylinder and vice versa.

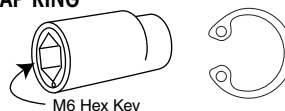
NOTE: The body of the actuators did not change.

REPLACEMENT THREADED CYLINDER

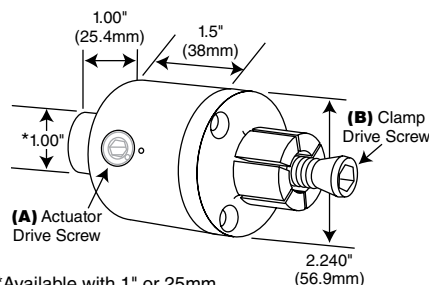
Part Number	Thread Size
34002	M2
34004	M4
34006	M6
34008	M8
34010	M10
34012	M12

ACTUATOR DRIVE SCREW WITH RETAINING SNAP RING

Part No.
34550



LATHE VERSION



*Available with 1" or 25mm shaft diameter - see chart to right



MODULAR XYZ XPANSION™ PINS



MITEE-BITE Products releases the new Modular XYZ Xpansion™ Pins for Tombstone, Grid Plate and Fixture Plate applications. The unique, patent pending design provides accurate location, repeatability and high holding forces for securing parts on the inside diameter. The XYZ Pin provides “out of the way workholding” and accessibility to all work surfaces with absolutely no external clamping interference. The Threaded Pin is available in standard sizes of 1/2, 5/8, M12 and M16 for tombstones and grid plates. The Press Fit Pins are available in 1/4, 3/8, 1/2, 5/8, M6, M10, M12 and M16 diameters for custom applications. Both styles of the pins are manufactured from “heat treatable” 17-4PH stainless steel. The Press Fit Pins are now also available in 12L14 mild steel. The Pins expand up to 0.030" (0.7mm) and the diameter

can be machined for specific applications. The top of the Pins have a slight taper creating maximum line contact in bore and provides clearance during load/unload. Designed for quick set-ups on secondary operations, material coming off prep stations, water-jets or even applications outside of your machining centers!



EXTERNAL/INTERNAL



Raw stock on pins



Op 1



Op 2 including c'bore on same fixture

Continuous Improvement Programs = Innovation!



PATENT 10,458,459

THREADED PINS - in 17-4PH

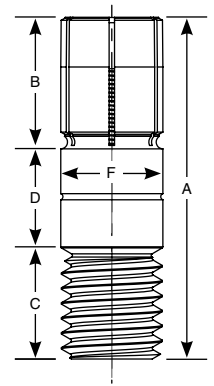
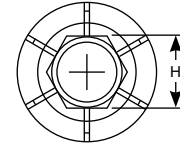


Threaded XYZ Pins incorporate an internal rotary broached hex for simple installation and removal from a tombstone, grid plate or fixture plate. Threaded Pins may be installed in a drilled and reamed hole for precise location or set in a hardened drill bushing for additional strength and wear resistance.

To install a Threaded XYZ Pin in a precision bore, drill/tap accordingly and ream the hole over the nominal diameter minimum of +0.0001 to +0.0005" (+.003 to +0.013mm).

Part Number	External Thread	A	B	C	D	F (+/-) .000/.001" (.000/.025mm)	G*	H	Replacement Tapered Screw	Tapered Screw Thread x Length
31850	1/2"-13	1.625"	0.60"	0.53"	0.50"	.500"	0.413"	1/4"	31010	1/4-20 x 1 1/4
38850	M12-1.75	40mm	15mm	13mm	12.00mm	12.00mm	10.5mm	6mm	38010	M6-1 x 30mm
31860	5/8" -11	1.875"	0.62"	0.62"	0.62"	.625"	0.472"	5/16"	31020	5/16-18 x 1 1/4
38860	M16 -2	45mm	16mm	13mm	16.00mm	16.00mm	12mm	8mm	38020	M8-1.25 x 30mm

*G minimum diameter pin can be machined or turned down to **Torque of Pin body needs to exceed torque of Tapered screw
Tapered screw included with pin.



For additional data on the Modular XYZ Xpansion™ Pins, scan QR code:



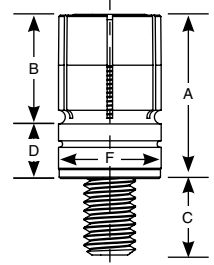
PRESS FIT PINS - in 17-4PH and Mild Steel



Pins are intended for press fit or close tolerance removable slide fit applications. Install in a precision bore or a bushing with the center threaded for the Tapered screw. If precise location is not necessary, pin can be used on top of fixture plate.

An accessory kit is available to make Installation and Removal (I/R) of the XYZ Pins quick and easy.

NOTE: If recessing pin into fixture beyond slits be sure to provide clearance for expanding segments.



17-4PH Part Number	12L14 Part Number	Description	A	B	C	D	F (+/-) .000/.001" (.000/.025mm)	G*	Replacement Tapered Screw	Tapered Screw Thread x Length	Installation/Removal (I/R) Kit**
31730	31630	Press Fit 1/4"	.500"	0.27"	.29"	.23"	0.250"	.219"	31731S	5-40 x 5/8	31720
38730	38630	Press Fit 6mm	13mm	7mm	7.3mm	5.8mm	6.00mm	5.5mm	38731S	M3-0.5 x 16mm	38720
31740	31640	Press Fit 3/8"	.750"	0.50"	.33"	0.25"	0.375"	0.281"	31002S	8-32 x 7/8	31721
38740	38640	Press Fit 10mm	19mm	12.7mm	8.4mm	6.35mm	10.00mm	7.5mm	38002S	M4-0.7 x 22mm	38721
31750	31650	Press Fit 1/2"	.750"	0.50"	.45"	0.25"	.500"	0.413"	31010S	1/4-20 x 7/8	31722
38750	38650	Press Fit 12mm	19mm	12.7mm	11.1mm	6.35mm	12.00mm	10.5mm	38010S	M6-1 x 22mm	38722
31760	31660	Press Fit 5/8"	.750"	0.50"	.52"	0.25"	.625"	0.472"	31020S	5/16-18 x 7/8	31723
38760	38660	Press Fit 16mm	19mm	12.7mm	13mm	6.35mm	16.00mm	12mm	38020S	M8-1.25 x 22mm	38723
-	31670	Press Fit 3/4"	.875"	.562"	0.56"	0.31"	.750"	.625	31032S	3/8-16 x 7/8	31724
-	38670	Press Fit 20mm	22mm	14mm	13mm	8mm	20.00mm	16mm	38032S	M10-1.5 x 22mm	38724

*G minimum diameter pin can be machined or turned down to **Kit includes screws (2) SHCS

Tapered screw included with pin.



Install pin body



Install tapered drive screw



EXTERNAL/INTERNAL



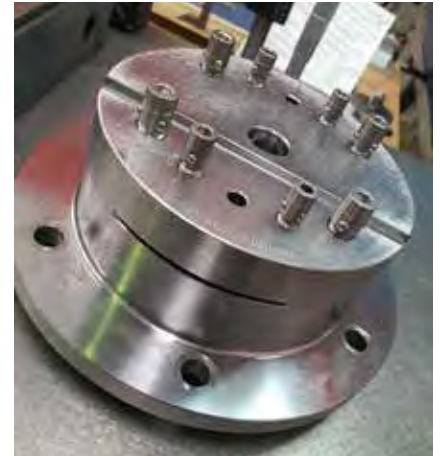
LOC-DOWN® SYSTEM



The Mitee-Bite Loc-Down® System was designed to be a programmer's and operator's dream for quickly and easily securing small to large aerospace parts. Its compact design allows for tighter pattern on grid plates compared to other options in the marketplace saving material cost on expensive aerospace alloys.

The Loc-Down® generates high holding force and provides low profile "out of the way" clamping allowing programmers to be very creative. Permits aggressive machining without tooling interference or applying forces that would influence part, intended to streamline production for the Aerospace Industry.

"We would have had to repair Brand-X 3 times in the past year and a half... and to date never had a problem with our Loc-Downs, we use these on 70% of our application."
Buffco Engineering



- ▶ Ideal for grid plates, tombstones and custom applications
- ▶ 100% Heat Treated Stainless Steel

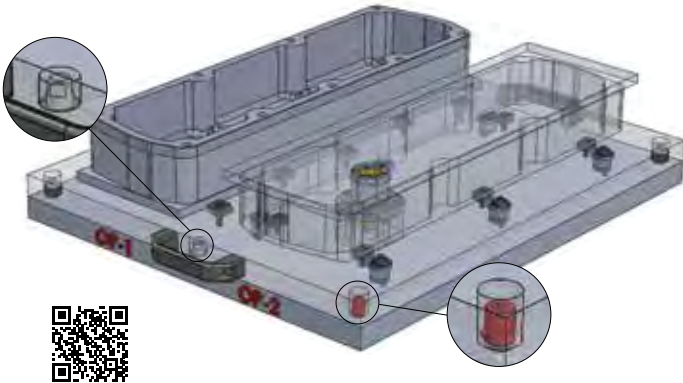
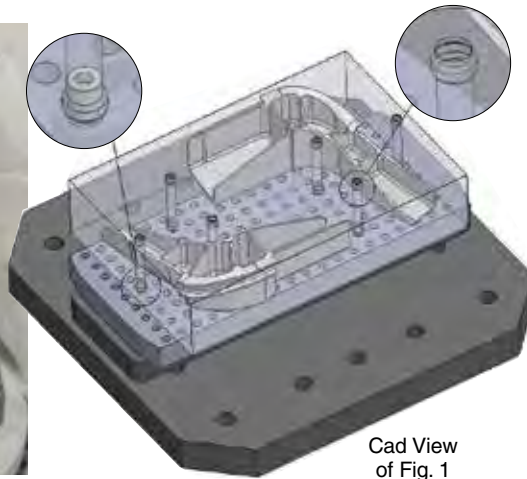


FIG. 1



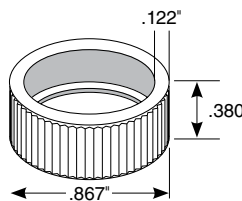
Cad View of Fig. 1



We have combined our Loc-Down®, custom Bushings and Locating Pins and Liners in a convenient kit (Part No.'s 11550 and 11650) that delivers a low-cost high precision quick change pallet system with a repeatability of .0004"/0.01mm or better.

Kit includes: 4 Loc-Downs™, 4 custom bushings, insertion tool, 4 liners, 1 diamond and tapered pin with mounting screws.

Heavy Wall Loc-Down® Bushing
Part No. [11520](#)



Loc-Down® Custom Carbide Cutter

- ▶ **Never use an impact style driver when tightening or loosening.** Hand tightening for majority of applications is sufficient
- ▶ Do not exceed 15 ft lbs of torque, doing so will reduce lifespan of product - 1 ft lb of torque equals 100 lbs of force.

	Part Number	Description	Thread Size	Bushing Part No.	Cutter Part No.	Insertion Tool	Quick Change Kit
Inch	11538	Loc-Down®	3/8-16	11524	11531	11535	-
	11500	Loc-Down®	1/2-13	11520	11530	11535	11550
	11558	Loc-Down®	5/8-11	11528	11530	-	-
Metric	11610	Loc-Down®	M10-1.5	11524	11531	11535	-
	11612	Loc-Down®	M12-1.75	11520	11530	11535	11650
	11616	Loc-Down®	M16-2.0	11528	11530	-	-

Patent No. 8,920,063

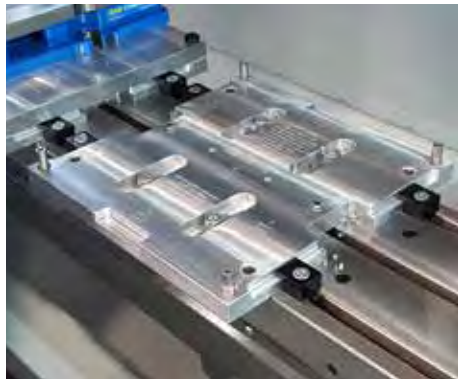
INTERNAL PULL-DOWN

QUICK CHANGE RECEIVER AND BLANK PALLET

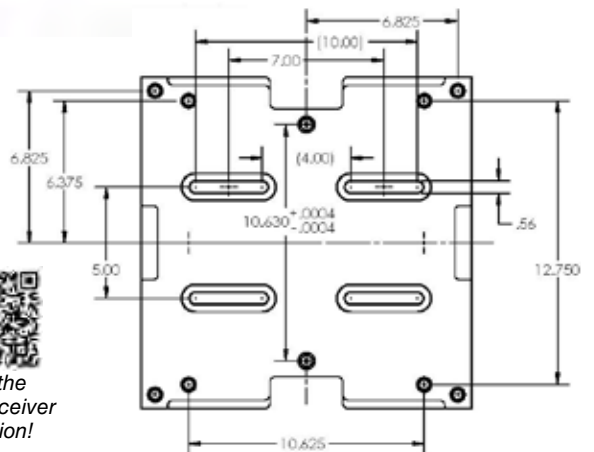
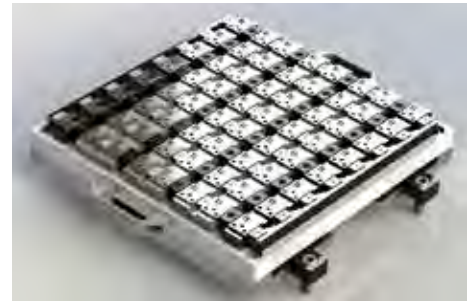
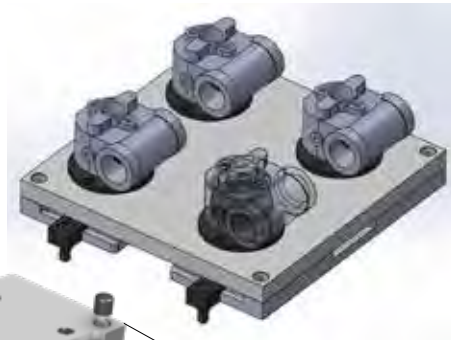
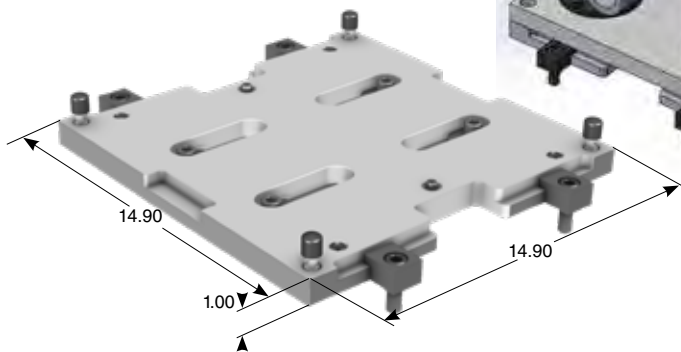


MITEE-BITE announces the addition of a cost effective simple Quick Change Receiver System allowing for the rapid change out and precise location of small fixture pallets. The Mitee-Bite Quick Change Receiver is designed to accept any of our current pallets as well as the blank pallet shown. The receiver mounts on t-slot tables, tombstones, sub-plates and our Aluminum T-Slot Grid Plates. Special washers and mounting clamps are provided with the system.

- ▶ All hardware recessed allowing the receiver to be skim cut to perfectly match the table.
- ▶ Receiver furnished with diamond and taper pins and hardened liner bushings, threaded steel inserts, special washers and mounting clamps.
- ▶ Blank pallet is fastened to the receiver with our Loc-Down® System, two turns of the Loc-Down® releases the pallet. 100 lbs. of force for every foot pound of torque.
- ▶ The Loc-Down® is not removed from the receiver – lost cumbersome fasteners are a thing of the past.
- ▶ No protruding fastener above the surface of the pallet to interfere with tooling.



High precision for a LOW COST solution!

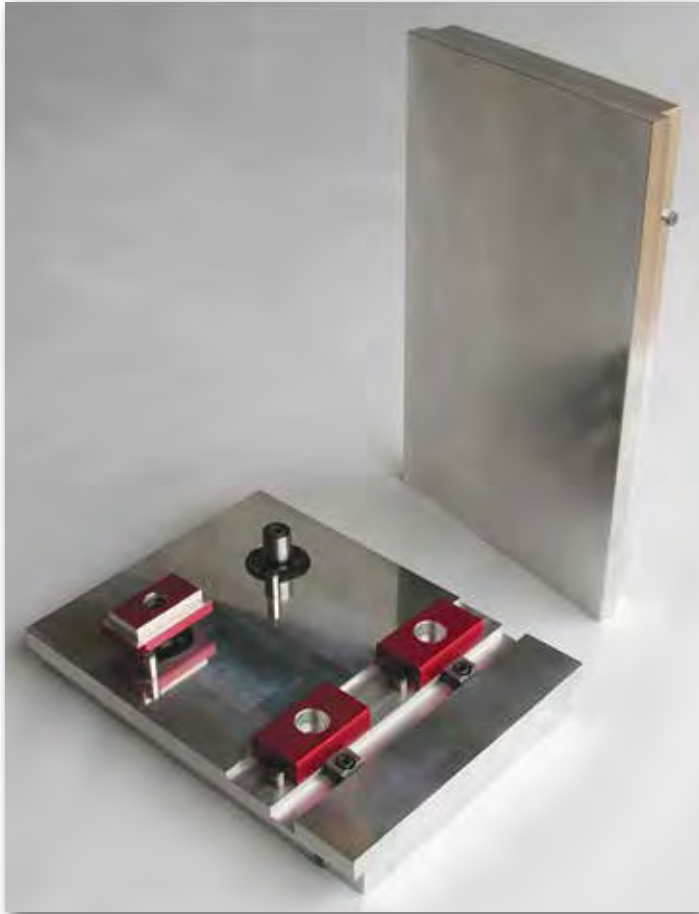


See the Q.C. Receiver in action!

Part No.	Description
46500	Quick Change Receiver with (4) 1/2-13 Loc-Downs® and Hardware
46600	Quick Change Receiver with (4) M12x1.75 Loc-Downs® and Hardware
46525	Quick Change 1" Blank Pallet with Liner and Loc-Down® Bushings Installed
11500	Loc-Down® (1/2-13)
11612	Loc-Down® (M12x1.75)
11520	Heavy Wall Loc-Down® Bushing
45070	Liner Bushings (2/pk)



WISE PALLET

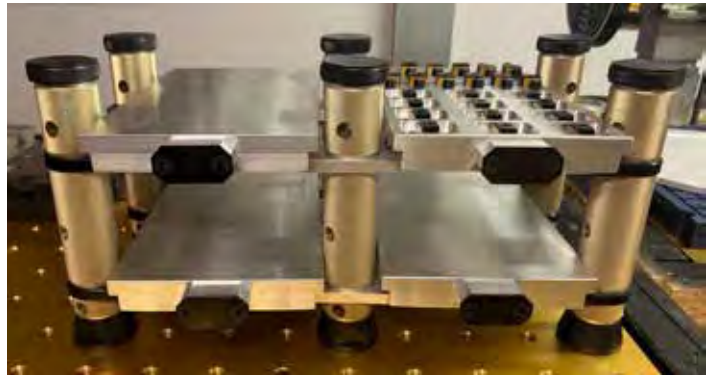


Simple Op1/Op2 manual pallet changer using vise

- ▶ Now you can run fixture jobs without removing your vises.
- ▶ Vise Pallets are designed to fit in all 6 inch (150mm) vises and measure approximately 6x8 and 6x10 inches (150x203mm and 150x254mm).
- ▶ Ideal for multiple small parts using one of several Mitee-Bite low profile edge clamps.
- ▶ The Vise Pallets are qualified in 2 places so they can rest on parallels or on the top of the jaws.

HOW TO USE

The Mitee-Bite Vise Pallet has a locating pin that makes contact with the left side of the solid jaw for repeat location of pallet. Simply slide pallet to the right of the vise and clamp in place. Pallets can be machined and tapped as required.



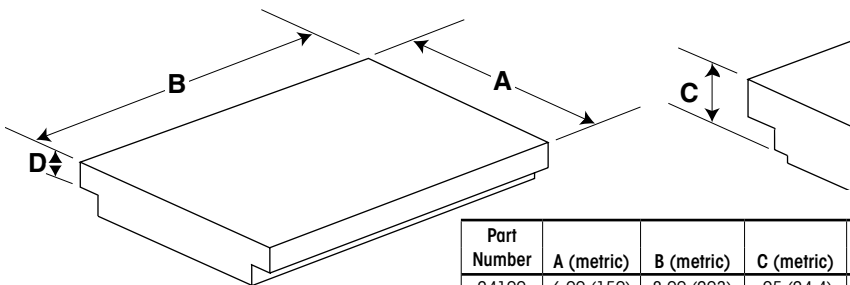
Vise pallets used in automated application



Fixtured with Mitee-Bite Uniforce® Clamps and locating rails



Fixtured with Mitee-Bite Machinable Uniforce® Clamps



Part Number	A (metric)	B (metric)	C (metric)	D (metric)
24100	6.00 (150)	8.00 (203)	.95 (24.4)	.44 (11.2)
24120	6.00 (150)	10.00 (254)	.95 (24.4)	.44 (11.2)



Vise Pallet with Mitee-Bite ID Xpansion™ Clamps

MULTI-POWER VAC

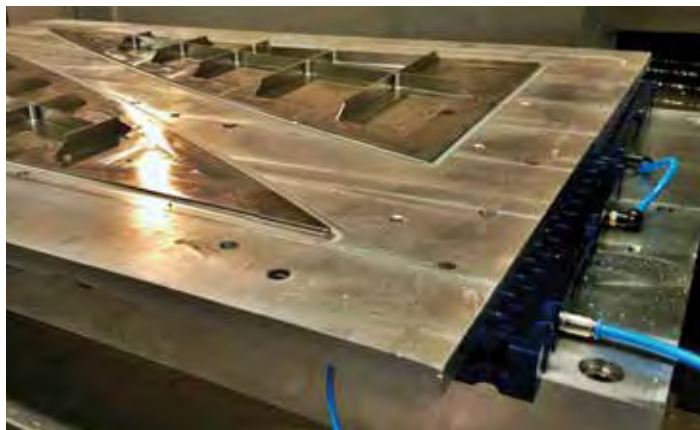


Designed to be easily linked together creating larger platforms

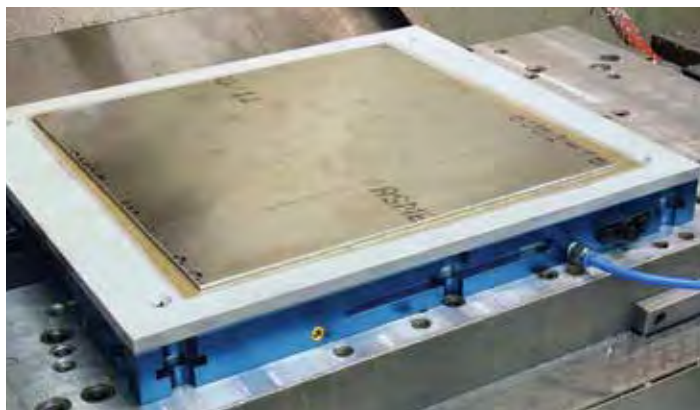
Mitee-Bite is proud to introduce possibly the most universal multi-functional vacuum system in today's market. This system has several unique features to meet your vacuum workholding needs.

- ▶ Can be powered with our Vacuum Generator (Shop Air) or Vacuum Pumps (page 41)
- ▶ 14"x 16" with textured surface creating additional holding force through friction
- ▶ 4 Vacuum ports allowing user to hold 1-4 small parts or 1 large part (ports can be plugged)
- ▶ Grid plate tapped with M6 threads allowing multiple workholding solutions
- ▶ 6 oversized steel washers machined below the bottom surface allows unit to be used for grinding operations on a magnetic chuck
- ▶ Multiple Vacuum Generators can be used on each pallet if additional CFM is desired
- ▶ Multiple pallets can operate from (1) vacuum generator
- ▶ Coolant Trap necessary when using coolant, not necessary when running dry.
- ▶ Coolant Trap sold separately

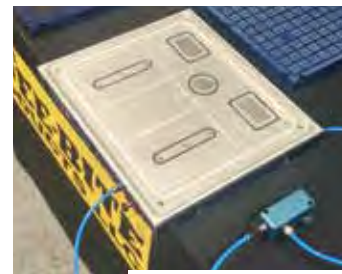
VACUUM



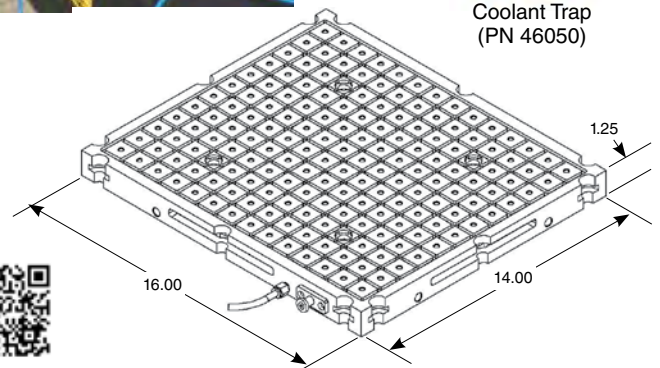
Multiple MPV's shown with large vacuum pallet.



Application using Mitee-Grip™ with sacrificial top plate



Coolant Trap (PN 46050)



Part No.	Description
46000	1 Multi-Power Vac pallet with Vac Generator including all accessories
46100	Vacuum Generator with hardware and fittings
46200	1 Multi-Power Vac pallet without Vac Generator including mounting hardware and tubing
46250	Sacrificial Top Plate with mounting screws
46050	Coolant Trap with hose and fittings





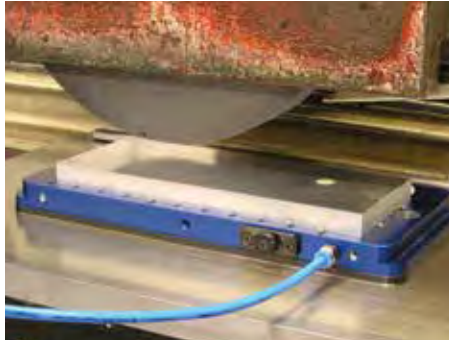
VM100 Base Unit (45375) in Vise

The Simplest and Most Versatile Vacuum System on the Market

The VM100 was primarily designed for grinding non-ferrous material on a magnetic chuck. During the early stages of R & D it was discovered the VM100 could be much more. Clamp the VM100 in vise to reduce set-up time, use as a pallet changer or mount to a grid plate or T-slot table. The VM100 uses the same patented method as the VM300 to produce a vacuum strong enough for industrial applications but still operates on 70-100 PSI shop air! No need for vacuum pumps and coolant traps. We include everything necessary to get your VM100 running within minutes of opening the box.



VM100 Base Unit (45375) with VM300 Vacuum Pallet (45150)



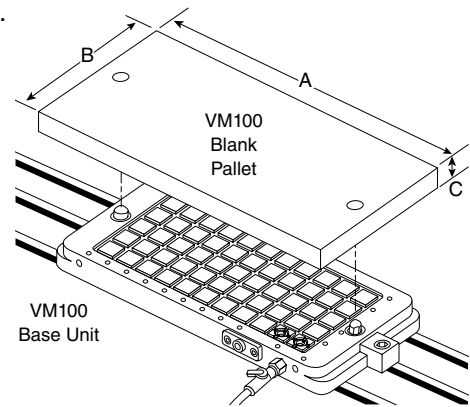
VM100 Base Unit (45375) on a Magnetic Chuck

VACUUM



VM100 Base Unit (45375) with a Production Pallet (VM100 Blank Pallet - 45325)

- ▶ Make your own vacuum fixtures - we can help with the design and produce the fixture for your custom application.
- ▶ The VM100 is designed to receive the VM300 vacuum and blank pallets increasing your vacuum platform to over 14"x12" (360mmx315mm). Part numbers 45130, 45135 and 45150.
- ▶ Remove 12mm pins when grinding/machining thin material, use set screws to locate and aid in holding force.



GASKET MATERIAL (for VM300& VM100)

	Part No.	Description	(Inch) Diameter [†]
Black - Excellent for long cycles and aggressive coolants.	BLACK 45111	by the foot	.170*
	45115	by the foot	.070
	451181	by the foot	.125
	45119	by the foot	.188
White - Excellent for small parts, water based coolants or running dry.	WHITE 45114	by the foot	.170*
	45116	by the foot	.070
	45117	by the foot	.125

*Replacement size for base units and vacuum pallets. Other sizes listed for custom made pallets. [†]Tolerance on all gasket diameter is +/- 10%.

Part Number	Description	A - Length Inch (Metric)	B - Width Inch (Metric)	C - Height Inch (Metric)
45325	VM100 Blank Pallet	12.5 (318mm)	5.875 (150mm)	1.0 (25mm)
45375	VM100 Base Unit (Includes all hardware)	12.375 (315mm)	5.5 (140mm)	1.0 (25mm)
45300	VM100 Kit - Includes: base unit, 2 blank pallets, all hardware			

See page 49 for Replacement Parts

PATENT 7,665,717

"One of my favorite things as a CNC programmer is designing high density fixtures. Last year we ran 10,000 of these little aluminum couplings, and now we're getting the opportunity for 23,000 this year. We may not get the job but, I spent a little time getting some designing done on a much better fixture suited for a high volume run."

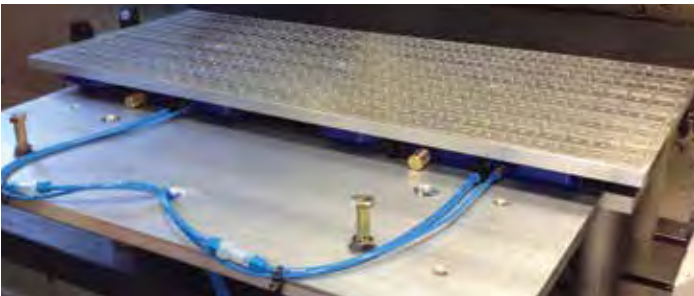
#job_shopper_tn

The All-in-One Pallet Changer and Vacuum Chuck System

In a relatively short amount of time the VM300 has established itself as the vacuum system to which all others are measured. Capabilities include traditional vacuum applications using our standard grid plate and custom vacuum applications (ie: machining blank pallet to suit specific part geometry) and the ability to perform as a rock solid pallet changer. Contact us to schedule an in-house demonstration with one of our highly qualified Manufacturing Representatives.

One Small Investment = Huge Payoffs!

- ▶ Simple design keeps cost low
- ▶ Productivity maximized - load pallets while machining
- ▶ Quick-change - swap pallets in 30 seconds or less with precise repeatability
- ▶ Easy to install and set-up
- ▶ Vacuum pallets with M6 threaded holes and textured finish to increase friction
- ▶ Reliable and easy to use - virtually maintenance free
- ▶ Flexible pallet design - limited only by your imagination!
- ▶ No pumps - uses standard shop air



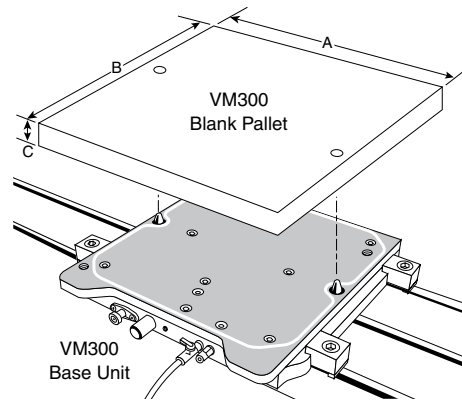
Two VM300 Base Units (45175) and large Vacuum Pallet (45160), bolts supporting oversized workpiece.



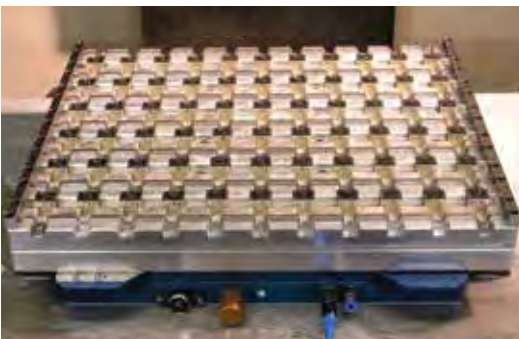
Custom application with graphite.



Never indicate your vise again!



Best Workholding Product at MACH Exhibition 2006



VM300 Base Unit (45175) with a Production Pallet (VM300 Blank Pallet - 45130)

Installation tips available on the website:



Part Number	Description	A - Length Inch (Metric)	B - Width Inch (Metric)	C - Height Inch (Metric)
45130	VM300 Blank Pallet	14.3 (360mm)	12.4 (315mm)	.75 (19mm)
45135	VM300 1" thick Blank Pallet	14.93 (379mm)	14.93 (379mm)	1.0 (25mm)
45150	VM300 Vacuum Pallet	14.3 (360mm)	12.4 (315mm)	.625 (16mm)
45160	VM300 Large Vacuum Pallet	33.625 (859mm)	14.5 (368mm)	.625 (16mm)
45175	VM300 Base Unit (Receiver) - Includes all hardware	12.75 (323mm)	13.0 (330mm)	1.375 (35mm)
45101	VM300 Kit - Includes: base unit, 2 blank pallets, 1 vacuum pallet, all hardware			

See page 49 for Replacement Parts

PATENT 7,665,717



ROTO-VAC GEN II

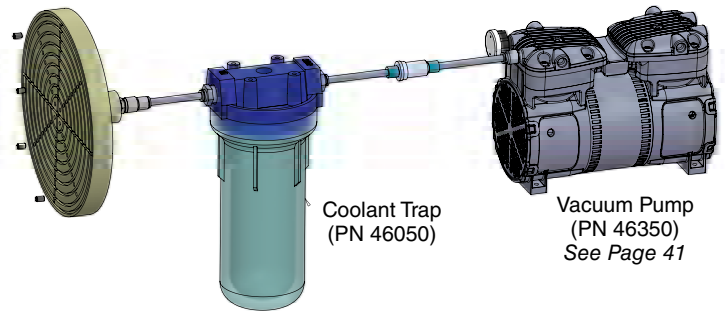
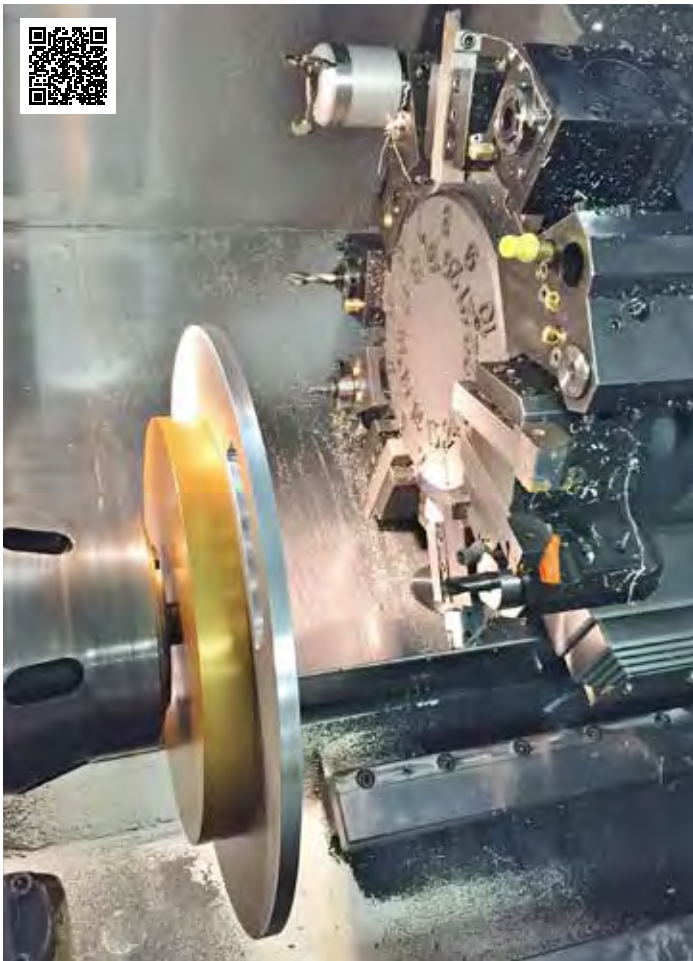
VACUUM



Yes, it's true! A vacuum system for your lathe or rotary table which provides an option for those applications that cannot be held by traditional methods. Although initially designed for thin materials and composites, we discovered we could machine more aggressively than anticipated with use of our newly designed vacuum grippers. These grippers will leave indentation on backside of workpiece, however increase the lateral load in some cases by more than 400%! Grippers can be raised/lowered/relocated as needed in the 32 M6 threaded holes on the face to include the ability to easily change the size of vacuum chamber by removing/reinstalling the gasket material from one of the 9 grooves. Always selecting the largest diameter possible for your application.

Manufactured from a solid billet ensures concentricity between the shaft and vacuum chambers, increased rigidity and the extra material needed if custom modification is required. For example: reducing the size of face plate or shaft diameter as well as machining mirror image of workpiece into faceplate for custom applications.

Rotary push to connect fitting designed for 1,100 RPM, however general machining practices and common sense must be considered when using this product. Recommended for light duty machining application - *please contact us with any questions*. Fittings are for 5/16 or 8mm tubing. If using on lathe, steel tubing is necessary with a coolant trap placed between vacuum pump and vacuum chuck. Flex tubing may be used on rotary table although steel tubing is always the preferred method.



Part No.	Description	Diameter	Thickness
46400	Rotary Vacuum Plate with M6 tapped holes	9.85"	1.0"
46450	Rotary Sacrificial Plate	9.85"	0.375"
46455	8mm Rotary fitting	-	-
45155	M6 Vacuum Grippers (2/pk)	-	-
45111	Vacuum Gasket (black) sold by foot	.170"	-
46401	Rotary Vacuum Kit (includes Vacuum Plate, Rotary Fitting, 4 Vacuum Grippers, Tubing and Gasket)	-	-

See page 41 for Vacuum Pump information.

PATENT PENDING

"I'm a mechanical engineer and manufacturing business owner and I've used many vacuum pumps in my career. Some work but are difficult to operate and some other ones have a lot of maintenance and occupy a lot of space. The Mitee-Bite vacuum pump is by far the best vacuum system I have ever worked with. It's small, simple, easy to operate, very little maintenance, and the best part, VERY POWERFUL! I run a lot of thin small and large aluminum plates on CNC mills and this this vacuum pump has made it super easy for me."

Carlos Santos

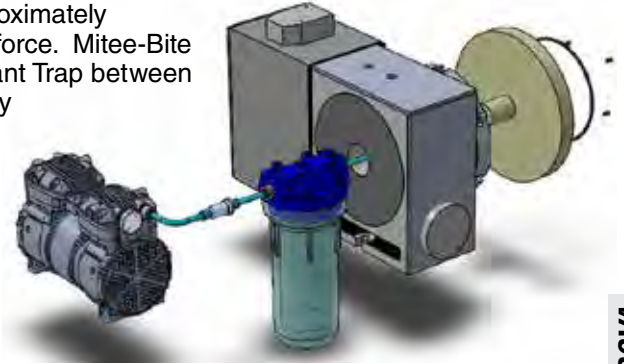
VACUUM PUMP



NEW MODEL!

We now offer an Electric Vacuum Pump/Air Compressor option for use with all of our vacuum systems or your current system. This unit is compact, quiet and guaranteed to run continuously for 1 year!

This Pump produces a high evacuation rate of 4 cfm which is recommended for larger parts or difficult gasket sealing situations as the pump can compensate for gasket leakage much better. At dead head the vacuum pump develops approximately 12-13 psi of vacuum holding force. Mitee-Bite recommends using our Coolant Trap between fixture and pumps, so that any liquid that bypasses the gasket can be captured so not to affect vacuum performance.



The Pump operates on 115 Volts and includes air filter, non-skid feet and 8' power cord with on/off switch.

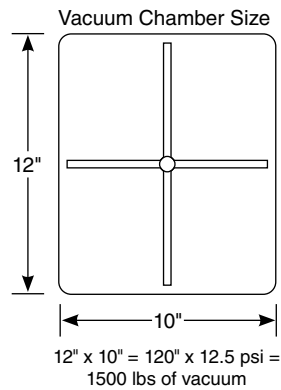
Part No.	Description
46350	MB-180H Vacuum Pump/Air compressor
46050	Coolant Trap with hose and fittings

LIQUID FILLED VACUUM GAUGE



NEW!

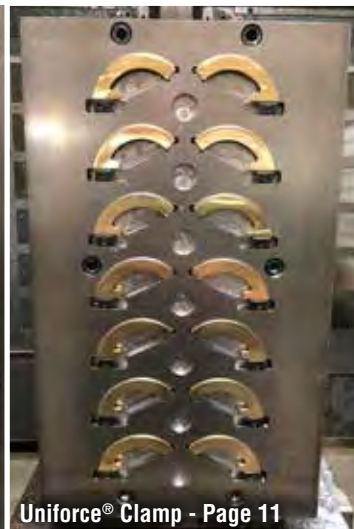
Mitee-Bite Products has designed a new and unique liquid filled vacuum gauge! The only PSI vacuum gauge on the market that allows the user to easily calculate holding force based on the area of vacuum chamber. This gauge will be included with the Vacmagic VM300 base unit, the Multi-Power Vacuum Pallet and Vacuum Generator and is also available to purchase separately.



Part No.	Description
46120	Liquid Filled Vacuum Gauge



Pitbull® Clamp - Page 17-18



Uniforce® Clamp - Page 11



Uniforce® Clamp - Page 11



ID Xpansion™ Clamp - Page 28-29



KOPAL® CLAMPS

Need a quick and easy way to clamp parts with top pressure? Check out this versatile line-up of clamps! From the strong but compact Piccolo to the heavy-duty Big Block.

The worm and gear design ensures the clamps will not loosen with use yet the clamps are easy to set up and break down. This is ideal for short cycle times and odd shaped parts.

The modular design also allows adjusting clamping height by stacking the riser blocks, and the use of an extension arm increases reach!

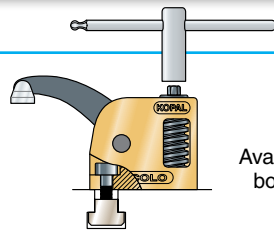
For the complete line of Mono-Bloc style clamps, see our website:
MiteeBite.com



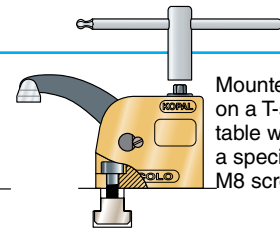
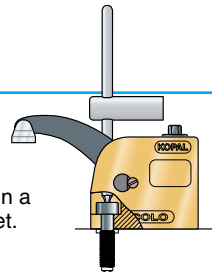
PICCOLO

- ▶ Up to 1460 lbs. (6500N) Holding Force
- ▶ 21.6 ft. lbs max. clamping torque

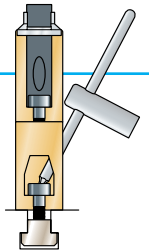
When the arm is released, the Piccolo remains in position in the slot.



Available in a boxed set.



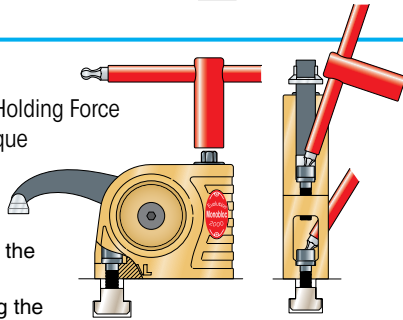
Mounted on a T-slot table with a special M8 screw



MONO BLOC

- ▶ Up to 3600 lbs. (16000N) Holding Force
- ▶ 58 ft. lbs max. clamping torque

1. Slide the T-nut and the screw into the slot
2. Position and tighten the clamp onto the table using the clamping key provided
3. Clamp the workpiece using the same key
4. Proceed with machining

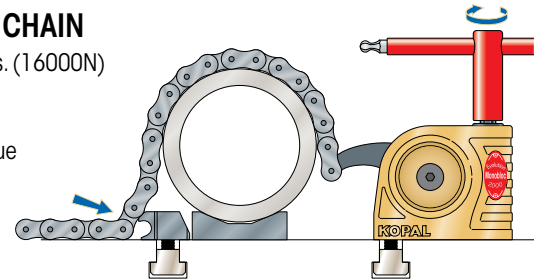


Mounted on a T-slot table with a special M10 screw

MONO BLOC CHAIN

- ▶ Up to 3600 lbs. (16000N) Holding Force
- ▶ 58 ft. lbs max. clamping torque

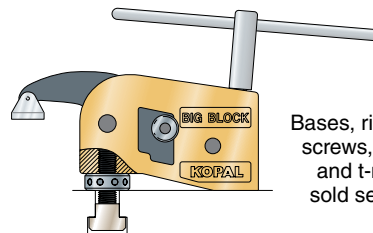
The 1 meter of chain allows for clamping large workpieces.



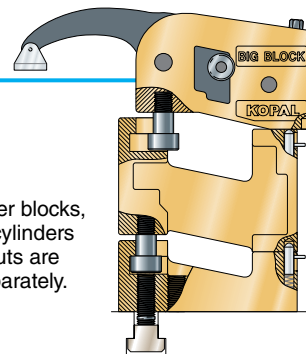
BIG BLOCK

- ▶ Up to 9000 lbs. (40000N) Holding Force
- ▶ 50 ft. lbs max. clamping torque

When the workpiece is released, the Big Block can either remain fixed in the slot, or slide in the slot.

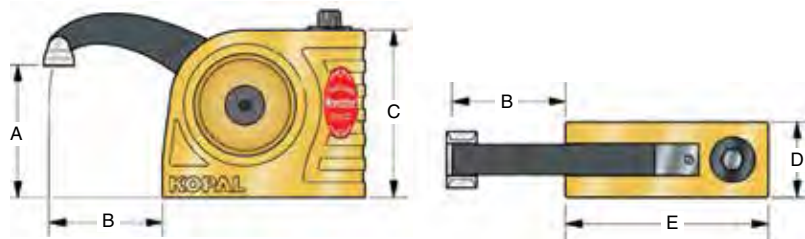


Bases, riser blocks, screws, cylinders and t-nuts are sold separately.



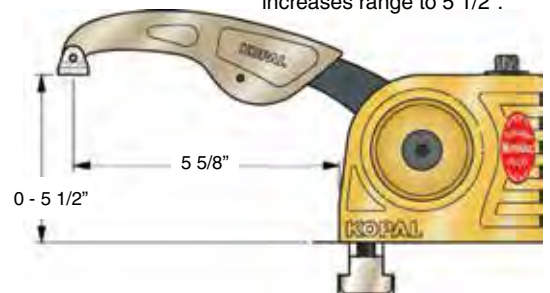
Quick mounting and release

Mounted on base and riser block with adaptor and special screw



	Part Number	A	B	C	D	E
Piccolo	25500	.60" – 2.28"	2.125"	2.5"	1.250"	2.87"
Standard Duty	25705	0" – 4"	2.375"	3.5"	1.563"	4.25"
Chain	25040	0" – 4"	2.375"	3.5"	1.563"	4.25"
Big Block	08035	.70 – 5.32"	5.700"	4.1"	2.350"	6.38"

Mono-Bloc with extension arm increases range to 5 1/2".



NOTE: Clamping force is reduced when using the extension arm.

KOPAL® CLAMPS

REPLACEMENT SWIVEL SHOES



Shoes #2 & #3 give you a larger clamping surface. Shoes #4 & #5 are for holding round workpieces.

Part Number	Model
25518	#2
25520	#3
25522	#4
25524	#5
25530	Set of all 4



DELUXE MONO-BLOC START-UP KIT



Kit includes: (2) standard-duty Mono-Bloc Clamps with 2 5/8" arm, (2) standard-duty Riser Blocks, (1) Extension Arm, (1) standard-duty T-Wrench, (2) M10x35mm screws, (2) M10x40mm screws, (2) T-nuts (choose from chart at right)

Part Number	T-Slot Size
25725	1/2
25727	9/16
25729	5/8
25731	3/4

High-impact plastic storage/ carrying case with room to store above tools, and space to store additional T-nuts for other size mills.

SPECIAL SCREWS AND T-NUTS FOR MONO-BLOC AND MONO-BLOC CHAIN CLAMP

(Order one screw and one nut per Mono-Bloc)

INDIVIDUAL MONO-BLOC ITEMS

Part Number	Description
25705	Standard-Duty Mono-Bloc Clamp with 2 5/8" Arm (Includes T-wrench)
25710	Standard-Duty Riser Block
25515	Replacement Swivel Shoe
25720	T-Wrench for Standard-Duty Mono-Bloc
25540	Extension Arm
25310	Worm Gear

Part Number	Description
25730	M10x35mm Screw for 1/2 & 9/16 T-Nut
25733	M10x40mm Screw for 5/8 & 3/4 T-Nut
25736	M10x45mm Screw for 13/16 & 7/8 T-Nut
25747	1/2xM10 T-Nut (12mm)
25748	9/16xM10 T-Nut (14mm)
25751	5/8xM10 T-Nut (16mm)
25754	3/4xM10 T-Nut (18mm)
25757	13/16xM10 T-Nut (20mm)
25760	7/8xM10 T-Nut (22mm)

KOPAL® MONO-BLOC CHAIN CLAMP

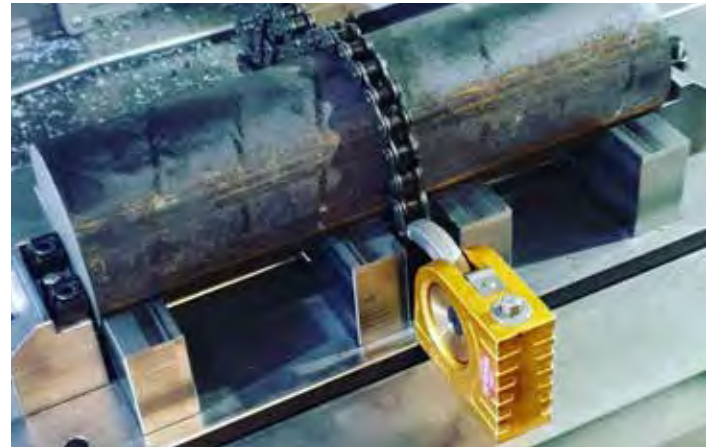


Application with large cylindrical piece.

The Mono-Bloc Chain Clamp is a simple and rapid workholding solution for a wide array of applications.

The Chain Clamp offers fast and powerful clamping with forces to 3,600 lbs. (16000N).

Additional lengths of chain can be added for large applications.

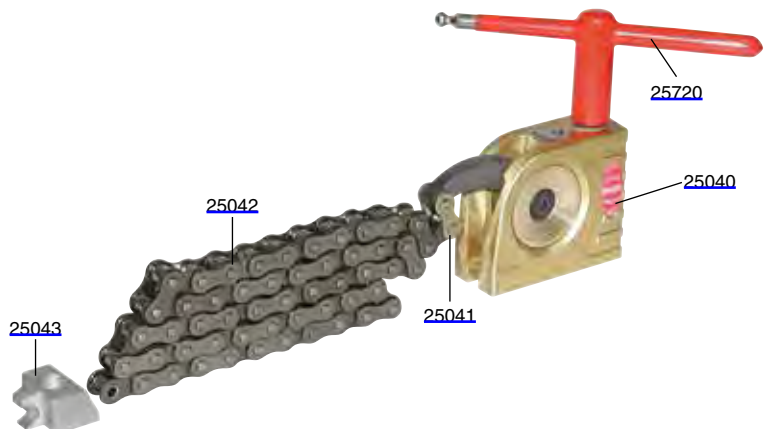


To prevent marring or scratching on delicate pieces use the protective chain clips. (25045) Minimum radius 6"



Part Number	Description
25040*	Mono-Bloc Chain Clamp with Master Link, 5 Protective Clips, Anchor Block, Key and 1 Meter of Chain
25041	Master Link
25042	Extra Chain (1 meter)
25043	Anchor Block
25045	Protective Clips (5/pk)
25720	Wrench

*Includes (2) M10 mounting screws for anchor and clamp. T-nuts sold separately - see above.



WORM-AND-GEAR



Your workholding specialists!

800-543-3580 MiteeBite.com

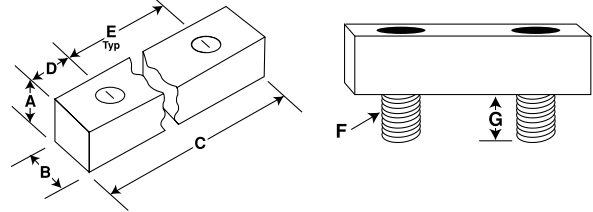
LOCATING RAILS FOR JIGS AND FIXTURES



Is it taking too long to make a fixture to increase production? Mitee-Bite Products makes fixture building easier and quicker with the addition of ready made locating rails.

Rails are made of low carbon steel, then ground square. They are easily machined when used with our machinable clamps. Tungsten Carbide coating can be added to increase holding force.

They are available in a number of sizes and lengths to suit most applications.

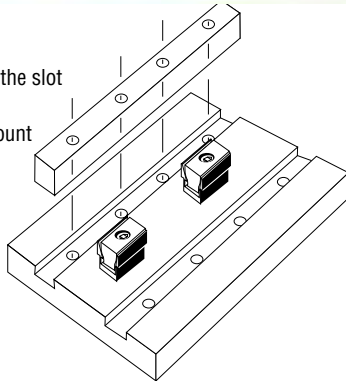


	Part Number	A	B +/- .0005	C	D	E	F	G	No. Holes
INCH	33110	.35	.480	.750	.375	.NA	1/4-20	.38	1
	33120	.35	.480	2.00	.50	1.00	1/4-20	.38	2
	33140	.35	.480	4.00	1.00	1.00	1/4-20	.38	3
	33160	.35	.480	6.00	.75	1.50	1/4-20	.38	4
	33180	.35	.480	10.00	1.00	2.00	1/4-20	.38	5
	33200	.48	.730	3.00	.75	1.50	1/4-20	.38	2
	33220	.48	.730	6.00	.75	1.50	1/4-20	.38	4
	33240	.48	.730	10.00	1.00	2.00	1/4-20	.38	5
	33260	.73	.980	3.00	.75	1.50	3/8-16	.62	2
	33280	.73	.980	6.00	1.00	2.00	3/8-16	.62	3
	33300	.73	.980	10.00	1.00	2.00	3/8-16	.62	5
	33320	.98	1.230	6.00	1.00	2.00	1/2-13	.75	3
	33340	.98	1.230	10.00	1.25	2.50	1/2-13	.75	4
METRIC	33360	1.48	1.980	6.00	1.00	2.00	1/2-13	.75	3
	33380	1.48	1.980	10.00	1.25	2.50	1/2-13	.75	4
	83200	12	15	50	15	20	M6	11mm	2
	83210	12	15	100	20	30	M6	11mm	3
	83220	12	15	150	30	30	M6	11mm	4
	83240	12	15	250	25	50	M6	11mm	5
	83260	18	24	75	20	35	M10	18mm	2
83280	18	24	150	30	30	M10	18mm	4	
83300	18	24	250	25	50	M10	18mm	5	

Mounting Screws included.

LOCATING RAIL INSTALLATION:

- 1 Mill a slot to locate the rail. Depth of the slot will determine rail height.
- 2 Drill and tap the required holes to mount the rail.
- 3 For better rigidity, the rail should be pinned to the fixture plate with dowel pins.
- 4 If rails are to be machined to hold round pieces, the clamps should be mounted and both rail and clamp machined at the same time.



LOCATING PINS AND LINERS



Use our Diamond and Tapered pins to standardize your shop with a universal pattern, allowing fixtures to be quickly mounted to any machining center.

- ▶ Designed with simplicity in mind - easy to install and remove
- ▶ Available with Inch or Metric hardware
- ▶ Use with Loc-Downs® for low cost quick change system
- ▶ Cylindrically ground
- ▶ Heat treated 8620

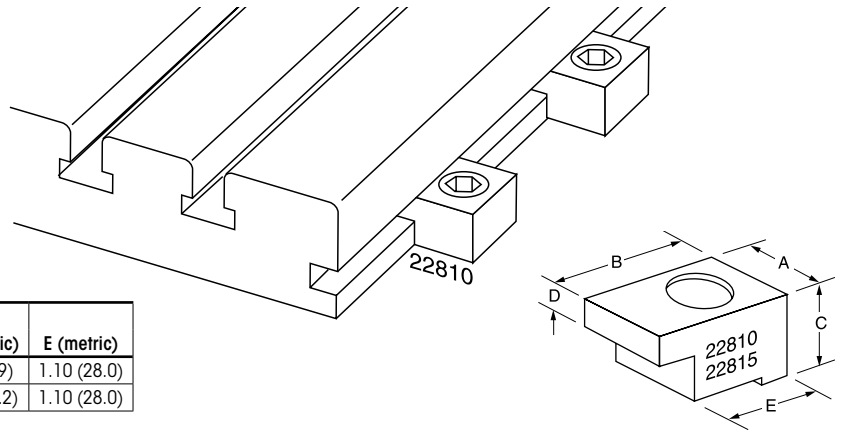


Part Number	Description
51000	Set of pins with M4 screws
52000	Set of pins with 8-32 screws
45070	Liners (2/pkg)

MOUNTING CLAMPS



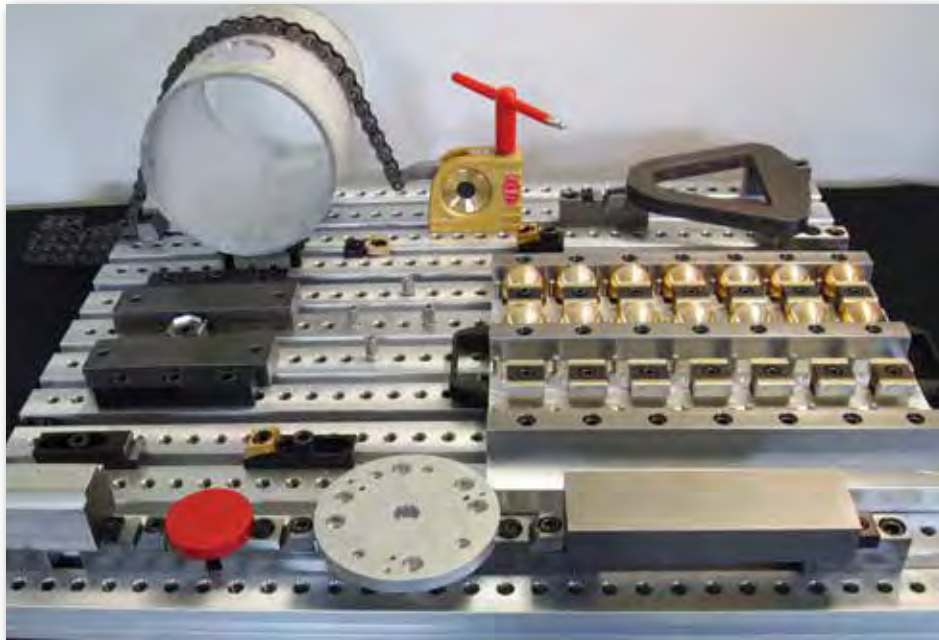
Mounting clamps are designed for securing MITEE-BITE Aluminum Sub Plates, Vacmagic® and many types of machine vises.



Part Number	Screw Size (metric)	A (metric)	B (metric)	C (metric)	D (metric)	E (metric)
22810*	1/2 (M12)	1.25 (31.8)	1.50 (38.1)	.87 (22.1)	.35 (8.9)	1.10 (28.0)
22815**	1/2 (M12)	1.25 (31.8)	1.50 (38.1)	1.25 (31.8)	.44 (11.2)	1.10 (28.0)

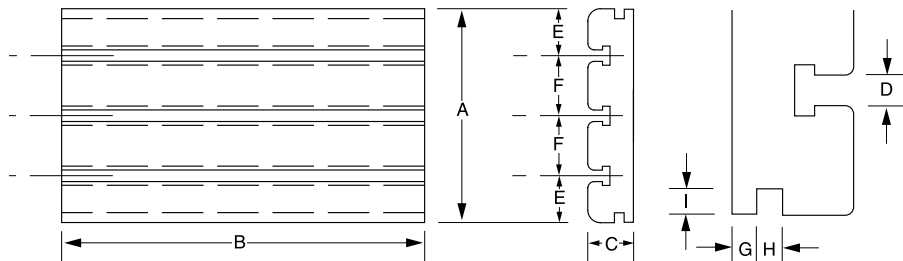
*For Vacmagic® VM100 (see page 38) **For Vacmagic® VM300 (see page 39)

ALUMINUM T-SLOT PLATES



Our standard T-Slot Plates provide a low cost solution to transform your grid plates, cmm's and even drill presses into a more universal platform. All of our modular clamping systems that use 5/8 and 16mm t-nuts can be easily used on this platform, from the basic and still popular clamps that started Mitee-Bite 30 years ago to some of the strongest clamps in the industry including unique solutions using chain clamps and vacuum workholding. Our T-Nut Rail below is drilled and tapped for some of our quick change systems and also has precision 12mm bores for our diamond and taper pins, so now you have the possibilities of using this as a quick change platform. Take a look at our social media network when considering new methods, these guys and gals showcase true talent and creativity.

- ▶ Standard T-slot plates can be ordered in custom lengths up to 66" (1676mm), not machined
- ▶ Standard sizes are premachined to .005 (.13mm) flatness and parallelism per foot (300mm)



STANDARD T-SLOT PLATE without Mounting Holes

Part Number	A x B x C (metric)	T-slots	D (metric)	E (metric)	F (metric)	G (metric)	H (metric)	I (metric)	Lbs. (KG)
22913	9.0 x 13.0 x 1.48 (228 x 330 x 38)	3	5/8 (16)	2.00 (50.8)	2.50 (63.5)	.49 (12.7)	.50 (12.7)	.50 (12.7)	13.3 (6.1)
22918	9.0 x 18.0 x 1.48 (228 x 457 x 38)	3	5/8 (16)	2.00 (50.8)	2.50 (63.5)	.49 (12.7)	.50 (12.7)	.50 (12.7)	18.5 (8.5)
22924	9.0 x 24.0 x 1.48 (228 x 610 x 38)	3	5/8 (16)	2.00 (50.8)	2.50 (63.5)	.49 (12.7)	.50 (12.7)	.50 (12.7)	24.8 (11.3)



COLLET WRENCHES

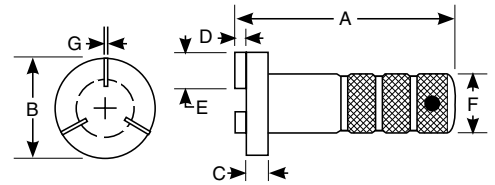
IMPROVED DESIGN!



The MITEE-BITE Collet Wrench simplifies insertion and removal of collets in the spindle nose on CNC lathes and is available for 5C (PN1005C), 16C (PN1016C) and 3J (PN1003J) collets.

Manufactured with a steel head and fins for greater strength and durability. Redesigned with a knurled handle for improved grip and includes a cross-hole when additional torque is required, by simply inserting screwdriver to tighten or loosen collets.

Part No.	Collet Sizes	Fins	A	B	C	D	E	F
1005C	5C	3	4.25	1.25	.50	.25	.28	1.25
1016C	16C	3	4.25	1.75	.50	.25	.50	1.25
1003J	3J	4	4.25	1.75	.50	.25	.50	1.25



PN 1005C



PN 1016C



PN 1003J

Replacement Parts

Part No.	Description
1001HAND	Aluminum Collet Handle
1005CHEAD	5C Collet Head*
1016CHEAD	16C Collet Head*
1003JHEAD	3J Collet Head*

*Pin and screw included.

COLLET STOP



The MITEE-BITE "front" loading Collet Stop is the most convenient 5C Collet Stop on the market. Once seated, the collet need not be removed for adjustment.

- ▶ Quick changing and easy to use
- ▶ Non clogging design
- ▶ Saves time and money
- ▶ Self centering
- ▶ Perfect for NC setups
- ▶ Reusable for different jobs

Part Number	Length (metric)
10105	24 (610)

ACCESSORIES

CHIP HOOKS

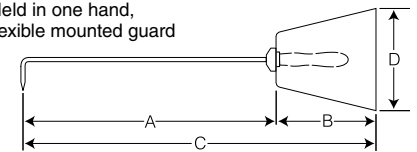


The new design provides a simple, solid method to remove chips from hazardous and hard to reach areas. Second generation chip hook features a large cone which offers protection for the entire hand, single or double-handled handles available. Bright blue color guarantees high visibility and wooden handle ensures a firm grip.

SAFETY! A work related accident can happen very easily. Always use a chip hook to clear away annoying chips and empty the chip trays on your machines.

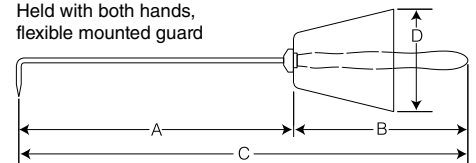
STANDARD LENGTH HANDLE

Held in one hand, flexible mounted guard



LONG LENGTH HANDLE

Held with both hands, flexible mounted guard



	Part Number	Description	A (metric)	B (metric)	C (metric)	D (metric)
Single Handle	12060B	Chip hook, single handle	15.75 (400)	7.0 (180)	22.5 (570)	7.0 (180)
	12070B	Chip hook, single handle	20.0 (500)	7.0 (180)	26.0 (670)	7.0 (180)
Double Handle	12080B	Chip hook, double handle	20.0 (500)	13.0 (320)	32.0 (820)	7.0 (180)
	12090B	Chip hook, double handle	31.5 (800)	13.0 (320)	44.0 (1120)	7.0 (180)
	12100B	Chip hook, double handle	39.0 (1000)	13.0 (320)	52.0 (1320)	7.0 (180)

PRODUCTS AVAILABLE IN ECONOMICAL BULK PACKAGING

Standard part numbers provided to help easily identify corresponding bulk part number.

Description	Quantity	Standard Part Number	Bulk Part Number	Description
Fixture Clamp				
Fixture Clamp/Stainless Steel	50+	10203	10323	1/4-20
Fixture Clamp/Stainless Steel	50+	10213	10333	5/16-18
Fixture Clamp/Stainless Steel	50+	10214	10334	8-32
Fixture Clamp/Stainless Steel	50+	50205	50325	M6
Fixture Clamp/Stainless Steel	50+	50207	50327	M8
Fixture Clamp/Stainless Steel	50+	50214	50334	M4
Fixture Clamp/Standard	50+	10201	10321	5/16-18
Fixture Clamp/Standard	50+	10202	10322	8-32
Fixture Clamp/Standard	50+	10204	10324	1/4-20
Fixture Clamp/Standard	50+	10205	10325	5/16-24
Fixture Clamp/Standard	50+	10206	10326	3/8-16
Fixture Clamp/Standard	50+	10207	10327	10-32
Fixture Clamp/Standard	50+	10208	10328	1/2-13
Fixture Clamp/Standard	50+	10210	10330	5/8-11
Fixture Clamp/Standard	50+	50204	50324	M4
Fixture Clamp/Standard	50+	50206	50326	M6
Fixture Clamp/Standard	50+	50208	50328	M8
Fixture Clamp/Standard	50+	50210	50330	M10
Fixture Clamp/Standard	50+	50212	50332	M12
Fixture Clamp/Standard	50+	50216	50336	M16

Knife Edge Clamp				
Knife Edge Clamp	50+	22584	22984	3/8-16
Knife Edge Clamp	50+	22992	22992	5/8-11
Knife Edge Clamp	50+	82584	87584	10M
Knife Edge Clamp	50+	82588	87588	12M
Knife Edge Clamp	50+	82592	87592	16M
Knife Edge Clamp	50+	22988B	22988B	1/2-13

Machinable Pitbull® Clamp				
Machinable Pitbull® Clamp	50+	26088	26388	1/2-13 Screw Size
Machinable Pitbull® Clamp	50+	26077	26377	3/8-16 Screw Size

Pitbull® Clamp				
Pitbull® Clamp	50+	26000	26300	4-40 Tool Steel KE
Pitbull® Clamp	50+	26010	26310	4-40 Tool Steel BE
Pitbull® Clamp	50+	26015	26315	4-40 Brass BE
Pitbull® Clamp	50+	26020	26320	8-32 Tool Steel KE
Pitbull® Clamp	50+	26030	26330	8-32 Tool Steel BE
Pitbull® Clamp	50+	26040	26340	8-32 Brass BE
Pitbull® Clamp	50+	26050	26350	1/4-20 Tool Steel KE
Pitbull® Clamp	50+	26060	26360	1/4-20 Tool Steel BE

LONG TAPERED SCREWS

Part Number	Description	Size
31001L	Long Tapered Screw for ID#00 ID (31000)	2-56x1 (Min. order of 4)
31002L	Long Tapered Screw for ID#0 (31050)	8-32x2 (Min. order of 4)
31010L	Long Tapered Screw for ID#1 (31100)	1/4-20x2 1/2 (Min. order of 4)
31020L	Long Tapered Screw for ID#2 (31150)	5/16-18x2 3/4 (Min. order of 4)
38001L	Long Tapered Screw for ID#00 (31000)	M2x10mm
38002L	Long Tapered Screw for ID#0 (38050)	M4x50mm
38010L	Long Tapered Screw for ID#1 (38100)	M6x60mm
38020L	Long Tapered Screw for ID#2 (38150)	M8x60mm
38032L	Long Tapered Screw for ID#3 (38200)	M10x75mm

BROACHED TAPERED SCREWS

	Part Number	Description	Size
INCH	31052B	For ID Xpansion Clamp #5-6	5/8-11" x 1 3/4" with 5/16" Broach
	31072B	For ID Xpansion Clamp #7-10	5/8-11" x 2" with 5/16" Broach
METRIC	38052B	For ID Xpansion Clamp #5-6	M16 x 45mm with 8mm Broach
	38072B	For ID Xpansion Clamp #7-10	M16 x 50mm with 8mm Broach

Description	Quantity	Standard Part Number	Bulk Part Number	Description
Fixture Clamp				
Pitbull® Clamp	50+	26065	26365	1/4-20 Brass BE
Pitbull® Clamp	50+	26070	26370	3/8-16 Tool Steel KE
Pitbull® Clamp	50+	26075	26375	3/8-16 Tool Steel BE
Pitbull® Clamp	50+	26080	26380	1/2-13 Tool Steel KE
Pitbull® Clamp	50+	26085	26385	1/2-13 Tool Steel BE
Pitbull® Clamp	50+	56000	56300	2.5x8mm Tool Steel KE
Pitbull® Clamp	50+	56010	56310	2.5x8mm Tool Steel BE
Pitbull® Clamp	50+	56015	56315	2.5x8mm Brass BE
Pitbull® Clamp	50+	56020	56320	4x12mm Tool Steel KE
Pitbull® Clamp	50+	56030	56330	4x12mm Tool Steel BE
Pitbull® Clamp	50+	56050	56350	6x16mm Tool Steel KE
Pitbull® Clamp	50+	56060	56360	6x16mm Tool Steel BE
Pitbull® Clamp	50+	56070	56370	10x25mm Tool Steel KE
Pitbull® Clamp	50+	56075	56375	10x25mm Tool Steel BE
Pitbull® Clamp	50+	56080	56380	12x35mm Tool Steel KE
Pitbull® Clamp	50+	56085	56385	12x35mm Tool Steel BE

Talongrip™				
Talongrip™ 1" Vise Jaw Grip	25+	33100	33900	M5
Talongrip™ 1/2" Vise Jaw Grip	50+	33050	33950	M5
Talongrip™ 1/2" Vise Jaw Grip	50+	32050	32950	10-32
Talongrip™ 1/2" Vise Jaw Grip	50+	32075	32934	10-32
Talongrip™ 1/2" Vise Jaw Grip	50+	33075	33934	M5

Uniforce® Clamp				
Uniforce® Clamp	50+	60250	67025	250
Uniforce® Clamp	50+	60375	67037	375
Uniforce® Clamp	50+	60500	67050	500
Uniforce® Clamp	50+	60750	67075	750
Uniforce® Clamp	50+	61000	67100	1000
Uniforce® Clamp	50+	61500	67150	1500
Uniforce® Clamp	50+	62000	67200	2000
Uniforce® Clamp	50+	80250	87025	250M
Uniforce® Clamp	50+	80375	87037	375M
Uniforce® Clamp	50+	80500	87050	500M
Uniforce® Clamp	50+	80750	87075	750M
Uniforce® Clamp	50+	81000	87100	1000M

Versagrip™				
Versagrip™ 3/4" Fixture Grip	50+	32175	32975	M5
Versagrip™ 3/4" Fixture Grip	50+	33175	33975	10-32



VersaGrip™ - Page 21

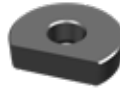


REPLACEMENT PARTS

CAM SCREWS

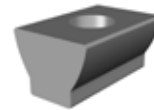


Part Number	Replacement Screw for Part Number	Min. Order
10363	10202	10
10364	10203	4
10365	10204, 10504	10
10366	10207	10
10367	10201	10
10368	10213	4
10369	10205	10
10370	23140, 24106	4
10371	10206, 10506	10
10372	23150, 24108	4
10373	10208, 10508	8
10374	Series 9 22588B	4
10375	10210	4
10376	24110	4
50363	50204	10
50364	50205	4
50365	50206	10
50366	50207	4
50367	50208	10
50368	53140, 54110	4
50369	50210	10
50371	50212	8
50372	T-Slot Toe Clamps	4
50373	50216	4
50374	54116	4



MACHINABLE WASHERS - Steel (for Machinable Fixture Clamps)

Part Number	Replacement Washer for Part Number (Metric)	Min. Order
10604	10504, (50506)	4
10606	10506, (50510)	4
10608	10508	4
10610	10510, (50516)	4
10612	50512	4



UNIFORCE® STEEL WEDGE

Part Number	Model	Min. Order
60305	250	6
60307	375	6
60310	500	8
60320	750	6
60330	1000	4
60340	1500	2
60350	2000	2



TAPERED SCREW (for ID Xpansion™ Clamp and XYZ Expansion® Pin)

Part Number (Metric)	Screw For:	Min. Order
31001 (38001)	Model #00	4
31002 (38002)	Model #0	4
31010 (38010)	Model #1	4
31020 (38020)	Model #2	4
31032 (38032)	Model #3	4
31042 (38042)	Model #4	4
31052 (38052)	Model #5, #6	2
31072 (38072)	Model #7, #8, #9, #10	2



SQUARE WASHERS

Part Number (Metric)	Use With Cam Screw (Metric)
21006	10370 (MB-10M)
21016	10372 (MB-12M)
21026	10376 (MB-16M)



SLOT WASHERS

Part Number	Use with Mounting Screw: (Metric)
20014	1/2-13 (M12 Screw)
20016	5/8 (M16 Screw)



MACHINABLE UNIFORCE® CHANNEL

Part Number	Model	Min. Order
60140	500	1
60125	750	1
60135	1000	1
60160	1500	1
60180	2000	1



THREADED CYLINDERS

Part Number	Thread
34002	M2
34004	M4
34006	M6
34008	M8
34010	M10
34012	M12



HEX WASHERS (for Fixture Clamps)

Part Number	Replacement Washer for Part Number (Metric)	Min. Order
10580	10202 , (50204)	10
10587	10207	10
10582	10204 , (50206)	10
10583	10203 , (50205)	4
10584	10201 , 10205 , (50208)	10
10585	(50207)	4
10586	10206 , (50210)	10
10588	10208	8
10590	(50212)	8
10592	10210 , (50216)	4



MACHINABLE UNIFORCE® LOCKING PLATE

Part Number	Model	Min. Order
60143	500	1
60145	750	1
60155	1000	1
60165	1500	1
60185	2000	1



T-NUTS

	Part Number	T-Slot Size	Min. Order
INCH	10714	3/8	2
	10715	7/16	2
	10716	1/2	2
	10717	9/16	2
	10718	5/8	2
	10719	11/16	2
METRIC	50708	8mm	2
	50710	10mm	2
	50712	12mm	2
	50714	14mm	2
	50716	16mm	2
	50718	18mm	2
	50720	20mm	2
	50722	22mm	2



KNIFE EDGE WASHERS

Part Number	Replacement Washer for Part Number (Metric)	Min. Order
12584	22584 , (82584)	10
12588B	22588B , (82588)	8
12592	22592 , (82592)	4



UNIFORCE® CHANNEL

Part Number	Model	Min. Order
60205	250	6
60207	375	6
60210	500	8
60220	750	6
60230	1000	4
60240	1500	2
60245	2000	2



MACHINING SCREWS (for Machinable Fixture Clamps)

	Part Number	Hold Down Screw for Part No.	Min. Order		Part Number	Hold Down Screw for Part No.	Min. Order
INCH	10704	10504	4	METRIC	50806	50506	4
	10706	10506	4		50810	50510	4
	10708	10508	4		50812	50512	4
	10710	10510	4	50816	50516	4	

"First time making a fixture using @miteebite clamps. I have to say this makes ease of running a high qty of parts with a short cycle time."

#innovativetechnologymfg

VM100, VM300 REPLACEMENT PARTS



Part No.	Description
45010	Brass filter/ea.



Part No.	Description
45040	Low pressure trip switch assembly/ea.



Part No.	Description
45070	Bushings for custom pallets - 2/pk



Part No.	Description
45015	In-line filter/ea. for 6mm tubing



Part No.	Description
45045	Vacmagic O-rings (3/pk, 2 small & 1 large)



Part No.	Description
45075	Base alignment pins - 2/pk



Part No.	Description
45020	Mounting bracket for 4mm/6mm tubing/ea.



Part No.	Description
45050	Supply valve/ea.



Part No.	Description
45080	4mm blue tubing - 15 ft/pack



Part No.	Description
45025	Locating pins/ Pack (1 taper & 1 diamond)



Part No.	Description
45055	Special mounting washer/ea.



Part No.	Description
45085	6mm blue tubing - 12 ft/pack



Part No.	Description
45030	Low vacuum indicator with spring/ea.



Part No.	Description
45060	LPTS fitting (Base Unit) Closed/ea.



Part No.	Description
45090	6mm tubing QD fitting for regulator/ea.



Part No.	Description
45031	Spring for low vacuum indicator/ea.



Part No.	Description
45065	LPTS fitting (Block) Open/ea.



Part No.	Description
45095	Assorted mtg. hardware for locating pins, alignment pins & LPTS block



Part No.	Description
45035	LPTS switch/ea.



Pitbull® Clamp - Page 17-18
TalonGrip™ - Page 20



Uniforce® Clamp - Page 11



Modular Tower



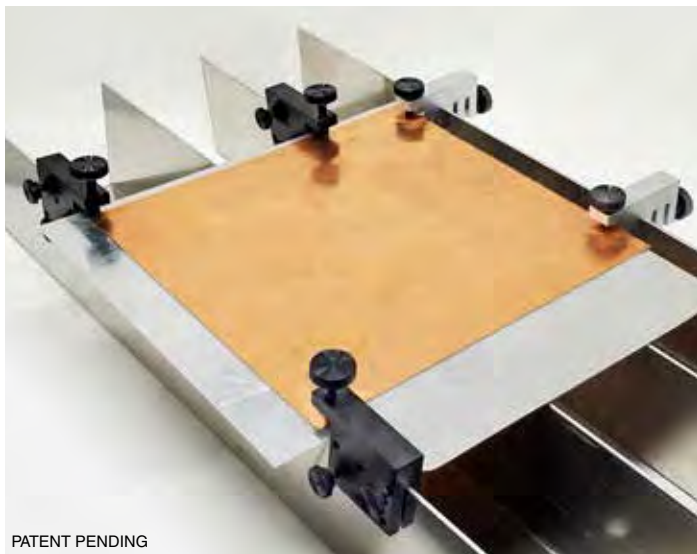
**NEW PRODUCTS
AVAILABLE SOON!**

Simple Solutions to Keep Your Spindles Spinning

New **Modular Towers** for automation! Keep the spindle running providing more time for operators to inspect, deburr, load and unload parts. Adjustable height and width to accommodate any small to medium sized automated arm. Saves space by stacking pallets vertically, including double pads to utilize both sides of towers.

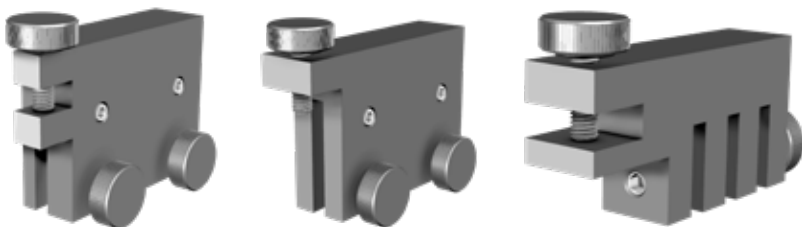


Water Jet Clamp/Pincher Clamp



New Patent Pending Pincher Style Clamp

Specifically designed for the waterjet industry, however we found a need for this solution for more than just waterjet. We have fixture and t-slot versions to grip, stack and apply tension, (even with multiple layers of thin material) for cutting, sawing and grinding.



Mitee-Bite Products: **Empowering Innovation!**

INDEX

Aluminum T-Slot Plate	45	Manual Actuators for Mills and Lathes	31	Series-9 Clamp	5
Chip Hook	46	Mitee-Grip™ GEN II	26	Serrated Grip	19
Collet Stop	46	Modular In-Line Clamping System	24	Side-Loc Xpansion® Clamp	30
Collet Wrench	46	Modular Pitbull® Clamp	6	Strap Clamp	22
Compact Toe Clamp	6	Modular XYZ Xpansion™ Pins	32-33	TalonGrip™ Long Length	
Concentric O.D. Clamp	27	Mono-Bloc Chain Clamp	43	TalonGrip™ Vise Jaw	20
Dyna-Force® Clamp	23	Mounting Clamp	45	T-Slot and Advant-Edge Clamp	8
Fixture Clamp	4	Multi-Fixture Clamps and Stops	9	T-Slot Toe Clamp	10
Heavy Duty™ T-Slot Clamps	7	Multi-Power Vac	37	Uniforce® Clamp	11
Heavy Duty VersaGrip™	22	New Products	50	Uniforce® Clamp/Long Length Channel & Steel	11
ID Xpansion™ Clamp	28-29	OK-VISE® Clamp	13-14	Uniforce® Clamp/Machinable	12
Knife Edge Clamp	4	OK-VISE® Multi-Rail System	15	Uniforce® Clamp/Machinable/ Long Length	12
Kopal® Clamps	42-43	Pitbull® Clamp	17-18	Vacmagic® VM100	38
Kopal® Mini Clamp	16	Pitbull® Clamp/Machinable	19	Vacmagic® VM300	39
Liquid Filled Vacuum Gauge	41	Pitbull® Wearplate	18	Vacuum Pump	41
Locating Pins and Liners	44	Products Available in Bulk	47	VersaGrip™ Vise Jaw	21
Locating Rails for Jigs and Fixtures	44	Quick Change Receiver and Blank Pallet	35	Vise Pallet	36
Loc-Down® System	34	Replacement Parts	47	VM100/VM300 Replacement Parts	48-49
Loc-Jaw® System	25	Rotary Vacuum Chuck	40		
Machinable Fixture Clamp	5				



ID Xpansion™ Clamp - Page 28-29



VersaGrip™ - Page 21



Knife Edge Clamp - Page 4

We look forward to seeing and sharing all of your creative designs.

Maybe YOU will be the next spotlight in our national marketing, receiving global exposure! Be sure to tag #miteebite in your post.

Product	Page No.	Source
Pitbull Clamp	3	#mtnmachinist
T-Slot Toe Clamp	3	#djprecisionmachine
Fixture Clamp	3	#bradimf
Machinable Uniforce Clamp	3	#aceroprecision
Fixture Clamp	4	#machmachineinc
Fixture Clamp	4	Harris Aerial
Fixture Clamp	4	#nuevaprecision
Knife Edge Clamp	4	#precisionnumericalcontrol
Machinable Fixture Clamp	5	#i.w.e._co
Heavy Duty T-slot Clamp	7	Josh Parmer
T-slot Kit (QR code)	8	#undaunted_manufacturing
Multi-Fixture Clamps & Stops	9	#rbehm96
Multi-Fixt. Clamps & Stops (QR code)	9	#bradimf
T-Slot Toe Clamp	10	#bradimf
Machinable Uniforce Clamp	10	#joem5127
Fixture Clamp	10	Nathan Ward
ID Xpansion Clamp	10	RIT Formula SAE
Uniforce Clamp	11	#premaxmfginc
Uniforce Clamp	11	Brad Hiatt, BST Enterprises
Uniforce Clamp	11	#freakinggreen
Machinable Uniforce Clamp	12	Jordan Daugherty
Machinable Uniforce Clamp	12	#feryokclarkson
OK-Vise Clamp	13	#wishin4snow
Pitbull Clamp	17	#hanse_spanntechnik
Pitbull Clamp	17	#machiningllc
Pitbull Clamp	17	#factorydaily
Pitbull Clamp/TalonGrip	17	#graysopcnc
Pitbull Clamp	17	#olsonmfg
Pitbull Clamp	17	#zcp.consulting
Pitbull Clamp (QR code)	17	#area419official
Machinable Pitbull Clamp	19	#carbon_shocks
Mach. Pitbull Clamp (QR code)		#abom79
TalonGrip	20	#stendo_the_machinist
TalonGrip	20	#machinist_level_one
TalonGrip	20	Peter Stokes

Product	Page No.	Source
TalonGrip	20	#liberationautomation
TalonGrip	20	#kingdomprecision
VersaGrip	21	Cape Town CNC
VersaGrip	21	#the.mb.
VersaGrip	21	#hatfieldindustries
VersaGrip	21	Brian Bailey
VersaGrip	21	Jonathan Proulx
Heavy Duty VersaGrip	22	#cmp_and_caffeine
Heavy Duty VersaGrip	22	#abom79
Heavy Duty VersaGrip	22	#ny_machinist
Mitee-Grip Gen II	26	Ingenuity Precision
Concentric O.D. Clamp	27	#bradimf
Concentric O.D. Clamp	27	#advancedmachiningsolutions
ID Xpansion Clamp	28	#olympusmachining
ID Xpansion Clamp	28	Jonathan Rubio
ID Xpansion Clamp	28	#erik_hardy
ID Xpansion Clamp	28	Inova
ID Xpansion Clamp	28	#djprecisionmachine
Side-Loc Xpansion Clamp	30	#electrolinkusa
Modular XYZ Xpansion Pin	32	#jason_chiple
Modular XYZ Xpansion Pin	33	#rrcnscservices
Loc-Down System	34	Alexander Parisi, Brypar
Multi-Power Vac	35	Fore Machine
Quick Change Rec'r (QR video)	35	Titans of CNC
Roto-Vac Gen II	40	Trey Malagarie, StepKo Products
Pitbull Clamp, Uniforce Clamp	41	Aaron Frye
ID Xpansion Clamp	41	#erik_hardy
Uniforce Clamp	41	Brad Hiatt, BST Enterprises
Kopal Mono-Bloc Chain Clamp	43	#wez_mekaniska
VersaGrip	47	#the.mb.
Pitbull Clamp, TalonGrip	49	#blackwingmachine
Uniforce Clamp	49	#djprecisionmachine
VersaGrip	51	Lars Mommer
Knife Edge Clamp	51	#brent_and_warburton
ID Xpansion Clamp	51	#jose.of.all.trades





WORLDWIDE DISTRIBUTION

Servicing over 195 COUNTRIES



Customer Satisfaction Our #1 Priority!

Technical and Design Assistance Includes
Top Level CAD Layouts Ready for Your Cam Software



340 Route 16B • P.O. Box 430
Center Ossipee, NH 03814 U.S.A.

Phone: (603) 539-4538
Fax: (603) 539-2183
Toll Free: 1-800-543-3580
E-mail: miteebite@miteebite.com

MITEE-BITE PRODUCTS LLC IS DISTRIBUTED BY:

*Visit our website to view our
latest product information:*
MiteeBite.com