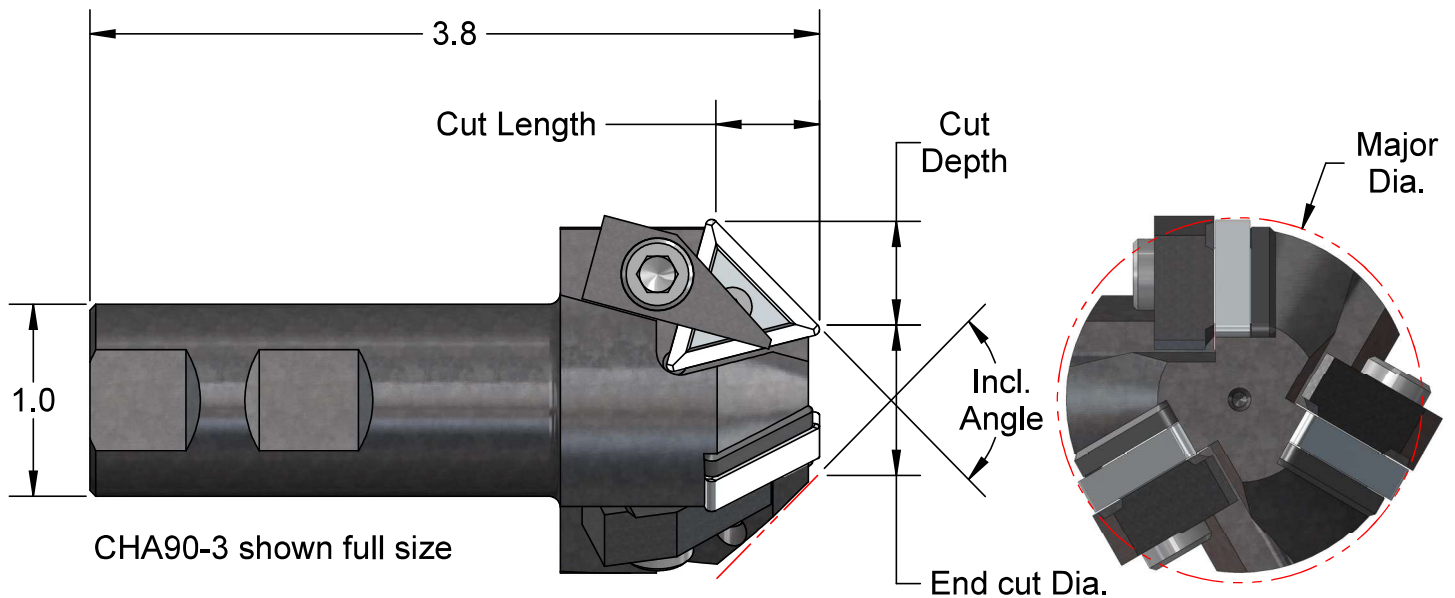


# Negative Rake Chamfer-Hogs (Ferrous Only)



Number	Included Angle	No. of Flutes	End Dia.	Major Dia.	Cut Lgth.	Cut Depth	Clamp No.	Price Incl. Inserts
CHA30-3	30°	3	1.75	2.16	.73	.25	CL5	\$435.
CHA60-3N	60°	3	1.40	1.60	.65	.45	CL5	\$435.
CHA70-3	70°	3	1.25	2.14	.62	.44	CL5	\$435.
CHA82-3	82°	3	1.0	2.02	.57	.50	CL5	\$435.
CHA90-3	90°	3	.75	1.90	.52	.52	CL5	\$435.
CHA90-4	90°	4	1.76	2.85	.52	.52	CL5	\$495.
CHA100-3	100°	3	.82	1.99	.49	.58	CL5	\$435.
CHA110-3	110°	3	.75	2.02	.43	.62	CL5	\$435.
CHA120-3	120°	3	.75	2.10	.29	.62	CL5	\$435.
CHA130-3	130°	3	.77	2.16	.32	.67	CL5	\$435.
CHA140-3	140°	3	.75	2.20	.25	.70	CL5	\$435.

Insert	Price	Clamp	Price	Shim	Price	Screws at no charge with each purchase of Clamps & Shims. Ind. Standard 10-32 & 1/4-20 Socket Head and 5-40 Flat Head.
TNMG432 C5	\$16.	CL5	\$20.	SM26 Ind. Std.	\$10.	



Phone 916 408-2442 FAX 916 408-0740

A. B. TOOLS, INC.  
1051 Aviation Blvd.  
Lincoln, CA, 95648-9312

If any product is not satisfactory  
we will modify, replace or refund.

Toll free phone 866 440-8665

www.abtoolsinc.com  
E-Mail: mail@abtoolsinc.com