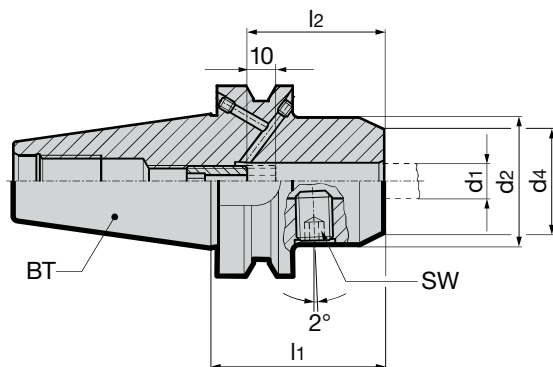


Product information

- balancing quality: G6.3 / 15,000 rev./min
- MAS/BT to DIN ISO 7388-2 form AD/B
- with bore to DIN 1835-2 form E “whistle notch”
- from bore d1 = 25 with two clamping screws
- BT40 - M16 x 2.0 retention knob
- BT50 - M24 x 3.0 retention knob

Scope of delivery

- incl. clamping screw article no. 4903 and adjustment screw



Series no. **4233**

BT	clamping-Ø d1 H5 mm	d2 mm	d4 mm	l1 mm	l2 mm	SW	Code no.	Order no.
40	6	25	15	50	36	3	6.040	9042330060400
40	8	28	20	50	36	4	8.040	9042330080400
40	10	35	25	63	40	5	10.040	9042330100400
40	12	42	30	63	45	6	12.040	9042330120400
40	14	44	32	63	45	6	14.040	9042330140400
40	16	48	36	63	48	6	16.040	9042330160400
40	18	50	38	63	48	6	18.040	9042330180400
40	20	52	40	63	50	8	20.040	9042330200400
40	25	63	45	90	56	10	25.040	9042330250400
40	32	72	56	100	60	10	32.040	9042330320400
50	6	25	15	63	36	3	6.050	9042330060500
50	8	28	20	63	36	4	8.050	9042330080500
50	10	35	25	63	40	5	10.050	9042330100500
50	12	42	30	80	45	6	12.050	9042330120500
50	14	44	32	80	45	6	14.050	9042330140500
50	16	48	36	80	48	6	16.050	9042330160500
50	18	50	38	80	48	6	18.050	9042330180500
50	20	52	40	80	50	8	20.050	9042330200500
50	25	65	45	100	56	10	25.050	9042330250500
50	32	72	56	105	60	10	32.050	9042330320500

Tool holders