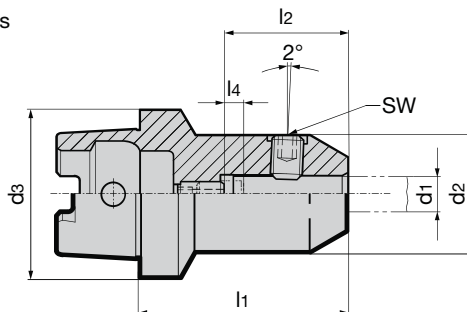


Product information

- balancing quality: G6.3 / 15,000 rev./min
- for tool shank tolerance h6
- dimensions to DIN 69882-5
- with bore to DIN 1835-2 form E "Whistle Notch" with groove on face side for identification
- from bore d1 = 25 with two clamping screws article no. 4903
- HSK-C to ISO 12164-1/DIN 69893-1

Scope of delivery

- incl. clamping screw article no. 4903 and adjustment screw article no. 4905



Series no. **4333**

HSK-C d ₃	clamping-Ø d ₁ H5 mm	d ₂ mm	d ₄ mm	l ₁ mm	l ₂ mm	l ₄ mm	incl. adjustment screw 4905 ...	SW	kg	Code no.	EDP Number
32	6	25	15	60	36	10	9049050050160	3	0.23	6.032	9043330060320
32	8	28	20	60	36	10	9049050060160	4	0.28	8.032	9043330080320
32	10	35	25	65	40	10	9049050080170	5	0.43	10.032	9043330100320
40	6	25	15	60	36	10	9049050050160	3	0.29	6.040	9043330060400
40	8	28	20	60	36	10	9049050060160	4	0.33	8.040	9043330080400
40	10	35	25	65	40	10	9049050080170	5	0.47	10.040	9043330100400
40	12	42	30	70	45	8	9049050100170	6	0.67	12.040	9043330120400
40	14	44	32	70	45	8	9049050100170	6	0.73	14.040	9043330140400
40	16	48	36	75	48	8	9049050120190	6	0.92	16.040	9043330160400
40	20	52	40	80	50	8	9049050160200	8	1.11	20.040	9043330200400
50	6	25	15	60	36	8	9049050050140	3	0.42	6.050	9043330060500
50	8	28	20	60	36	8	9049050060140	4	0.46	8.050	9043330080500
50	10	35	25	65	40	8	9049050080150	5	0.57	10.050	9043330100500
50	12	42	30	75	45	10	9049050100200	6	0.80	12.050	9043330120500
50	14	44	32	75	45	10	9049050100200	6	0.87	14.050	9043330140500
50	16	48	36	80	48	10	9049050120220	6	1.02	16.050	9043330160500
50	18	49	38	80	48	10	9049050120220	6	1.09	18.050	9043330180500
50	20	52	40	80	50	8	9049050160200	8	1.15	20.050	9043330200500
50	25	65	45	95	56	8	9049050200260	10	2.14	25.050	9043330250500
63	6	25	15	60	36	8	9049050050140	3	0.64	6.063	9043330060630
63	8	28	20	60	36	8	9049050060140	4	0.66	8.063	9043330080630
63	10	35	25	65	40	8	9049050080150	5	0.78	10.063	9043330100630
63	12	42	30	75	45	10	9049050100200	6	0.99	12.063	9043330120630
63	14	44	32	75	45	10	9049050100200	6	1.03	14.063	9043330140630
63	16	48	36	80	48	10	9049050120220	6	1.21	16.063	9043330160630
63	18	50	38	80	48	10	9049050120220	6	1.26	18.063	9043330180630
63	20	52	40	80	50	8	9049050160200	8	1.31	20.063	9043330200630
63	25	65	45	95	56	8	9049050200260	10	2.23	25.063	9043330250630
63	32	72	56	100	60	8	9049050200260	10	2.75	32.063	9043330320630

Tool holders