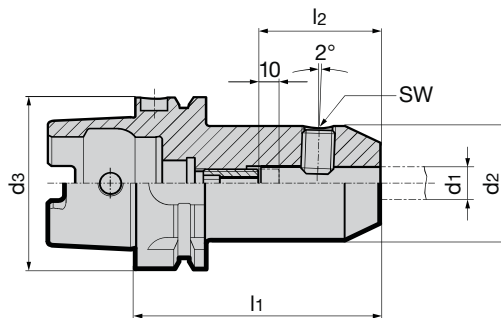


Product information

- balancing quality: G6.3 / 15,000 rev./min
- dimensions to DIN 69882-5
- with bore to DIN 1835-2 form E "Whistle Notch" with groove on face side for identification
- from bore $d_1 = 25$ with two clamping screws
- HSK-A to ISO 12164-1 / DIN 69893-1

Scope of delivery

- incl. clamping screw article no. 4903 and adjustment screw article no. 4904
- order coolant supply set, article no. 4949 separately


 Series no. **4334**

HSK-A d_3	clamping- \emptyset d_1 H5 mm	d_2 mm	d_4 mm	l_1 mm	l_2 mm	incl. adjustment screw 4904 ...	SW	kg	Code no.	EDP Number
32	6	25	15	80	36	6.014	3	0.32	6.032	9043340060320
32	8	28	20	80	36	8.014	4	0.36	8.032	9043340080320
32	10	35	25	80	40	10.014	5	0.46	10.032	9043340100320
32	12	42	30	80	45	12.014	6	0.57	12.032	9043340120320
40	6	25	15	80	36	6.014	3	0.36	6.040	9043340060400
40	8	28	20	80	36	8.014	4	0.40	8.040	9043340080400
40	10	35	25	80	40	10.014	5	0.50	10.040	9043340100400
40	12	42	30	90	45	12.014	6	0.68	12.040	9043340120400
40	14	44	32	90	45	12.014	6	0.72	14.040	9043340140400
40	16	48	36	90	48	16.014	6	0.77	16.040	9043340160400
50	6	25	15	80	36	6.014	3	0.58	6.050	9043340060500
50	8	28	20	80	36	8.014	4	0.62	8.050	9043340080500
50	10	35	25	80	40	10.014	5	0.73	10.050	9043340100500
50	12	42	30	90	45	12.014	6	0.97	12.050	9043340120500
50	14	44	32	90	45	12.014	6	1.00	14.050	9043340140500
50	16	48	36	90	48	16.014	6	1.09	16.050	9043340160500
50	18	50	38	90	48	16.014	6	1.12	18.050	9043340180500
50	20	52	40	100	50	20.114	8	1.30	20.050	9043340200500
63	6	25	15	80	36	6.014	3	0.86	6.063	9043340060630
63	8	28	20	80	36	8.014	4	0.90	8.063	9043340080630
63	10	35	25	80	40	10.014	5	1.00	10.063	9043340100630
63	12	42	30	90	45	12.014	6	1.24	12.063	9043340120630
63	14	44	32	90	45	12.014	6	1.28	14.063	9043340140630
63	16	48	36	100	48	16.014	6	1.53	16.063	9043340160630
63	18	50	38	100	48	16.014	6	1.60	18.063	9043340180630
63	20	52	40	100	50	20.114	8	1.65	20.063	9043340200630
63	25	65	45	110	56	20.114	10	2.34	25.063	9043340250630
63	32	72	56	110	60	20.114	10	2.54	32.063	9043340320630
80	6	25	15	90	36	6.014	3	2.20	6.080	9043340060800
80	8	28	20	90	36	8.014	4	2.25	8.080	9043340080800
80	10	35	25	90	40	10.014	5	2.56	10.080	9043340100800
80	12	42	30	100	45	12.014	6	2.60	12.080	9043340120800
80	14	44	32	100	45	12.014	6	2.85	14.080	9043340140800
80	16	48	36	100	48	16.014	6	2.88	16.080	9043340160800
80	18	50	38	100	48	16.014	6	2.90	18.080	9043340180800
80	20	52	40	110	50	20.114	8	3.05	20.080	9043340200800
80	25	65	45	110	56	20.114	10	3.10	25.080	9043340250800
80	32	72	56	120	60	20.114	10	3.20	32.080	9043340320800
100	6	25	15	90	36	6.014	3	2.60	6.100	9043340061000
100	8	28	20	90	36	8.014	4	2.60	8.100	9043340081000
100	10	35	25	90	40	10.014	5	2.60	10.100	9043340101000
100	12	42	30	100	45	12.014	6	2.80	12.100	9043340121000
100	14	44	32	100	45	12.014	6	2.85	14.100	9043340141000
100	16	48	36	100	48	16.014	6	2.97	16.100	9043340161000
100	18	50	38	100	48	16.014	6	3.10	18.100	9043340181000
100	20	52	40	110	50	20.114	8	3.23	20.100	9043340201000
100	25	65	45	120	56	20.114	10	4.06	25.100	9043340251000
100	32	72	56	120	60	20.114	10	4.40	32.100	9043340321000