

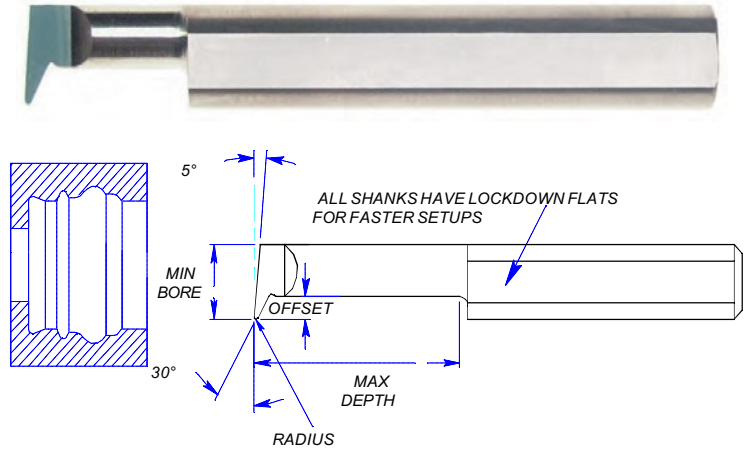
**SERIES 56**

made from **ITC CARBIDE**

MIN BORE	TIP RADIUS	OFFSET	MAX DEPTH	ORDER EDP#	ALTIN COATED EDP#	SHANK & OVERALL LENGTH
.090	.005	.040	.200	56-1000	56-1000-C	1/8
			.300	56-1005	56-1005-C	x
			.400	56-1010	56-1010-C	2"
.120	.007	.080	.250	56-1080	56-1080-C	1/8
			.500	56-1085	56-1085-C	x
			.750	56-1090	56-1090-C	2"
.180	.010	.080	.500	56-1100	56-1100-C	3/16
			.750	56-1105	56-1105-C	x
			1.000	56-1110	56-1110-C	2-1/2
.220	.010	.080	.500	56-1115	56-1115-C	1/4
			.750	56-1120	56-1120-C	x
			1.000	56-1125	56-1125-C	2-1/2
.300	.015	.110	.500	56-1130	56-1130-C	5/16
			.750	56-1135	56-1135-C	x
			1.000	56-1140	56-1140-C	2-1/2
.360	.015	.130	.500	56-1145	56-1145-C	3/8
			.750	56-1150	56-1150-C	x
			1.000	56-1155	56-1155-C	2-1/2
.490	.015	.160	.500	56-1165	56-1165-C	1/2
			.750	56-1170	56-1170-C	x
			1.000	56-1175	56-1175-C	3"
			1.250	56-1180	56-1180-C	

**PROFILE TOOLS**

APPLICATION : **STANDARD PROFILING TOOL**



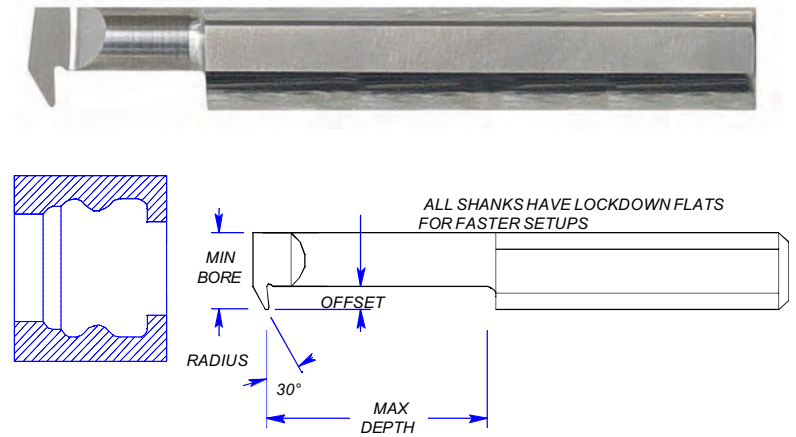
**SERIES 56**

made from **ITC CARBIDE**

MIN BORE	TIP RADIUS	OFFSET	MAX DEPTH	ORDER EDP#	ALTIN COATED EDP#	SHANK & OVERALL LENGTH
.180	.010	.080	.500	56-1500	56-1500-C	3/16
			.750	56-1505	56-1505-C	x
			1.000	56-1510	56-1510-C	2-1/2
.220	.010	.080	.500	56-1515	56-1515-C	1/4
			.750	56-1520	56-1520-C	x
			1.000	56-1525	56-1525-C	2-1/2
.300	.015	.110	.500	56-1530	56-1530-C	5/16
			.750	56-1535	56-1535-C	x
			1.000	56-1540	56-1540-C	2-1/2
.360	.015	.130	.500	56-1545	56-1545-C	3/8
			.750	56-1550	56-1550-C	x
			1.000	56-1555	56-1555-C	2-1/2
.490	.015	.160	.500	56-1565	56-1565-C	1/2
			.750	56-1570	56-1570-C	x
			1.000	56-1575	56-1575-C	3"
			1.250	56-1580	56-1580-C	

**REVERSE PROFILE TOOLS**

APPLICATION : **REVERSE PROFILING TOOL**



**SERIES 09**

made from **ITC CARBIDE**

**MULTI-REACH PROFILE TOOLS**

MIN BORE	ORDER EDP#	ALTIN COATED EDP#	OFFSET	RADIUS	SHANK DIAMETER	SHANK LENGTH
.360	09-1400	09-1400-C	.100	.010	1/4"	4"
.420	09-1405	09-1405-C	.100	.015	5/16"	4"
.480	09-1410	09-1410-C	.100	.015	3/8"	6"
.615	09-1415	09-1415-C	.110	.015	1/2"	6"
.750	09-1420	09-1420-C	.125	.020	5/8"	6"

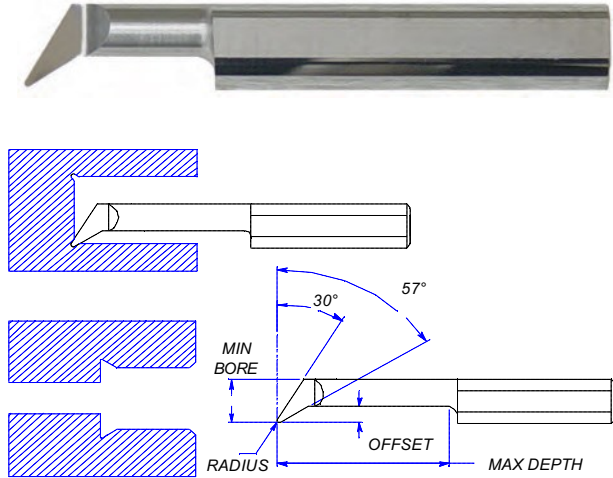
APPLICATION : **MULTI-REACH PROFILING**  
**NO LONGER LIMITED BY NECK LENGTH.**  
**ONE TOOL REPLACES A SERIES OF OTHERS.**

CARBIDE SHANKS PROVIDE MAXIMUM RIDGIDITY



SERIES 56

**R.H. OFFSET PROFILE TOOLS**



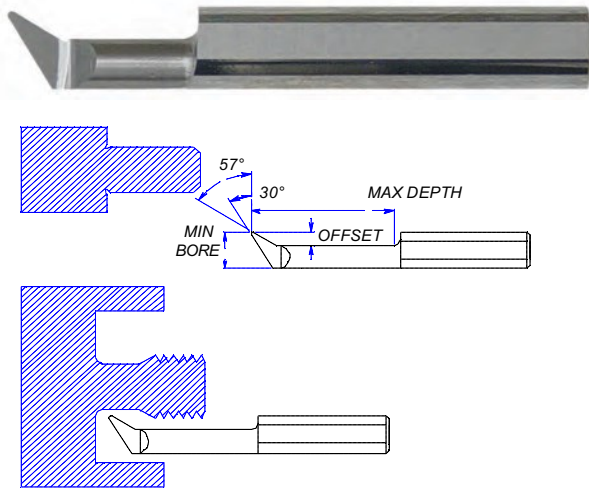
SERIES 56

made from **ITC CARBIDE**

APPLICATION : **RIGHT HAND OFFSET PROFILING TOOL.**

MIN BORE	RADIUS	OFFSET	MAX DEPTH	ORDER EDP#	TOOL IDENTIFICATION	SHANK & OVERALL LENGTH
.220	.010	.080	.500	56-1815	ROP-220-500	1/4 X
			.750	56-1820	ROP-220-750	2-1/2
			1.000	56-1825	ROP-220-1000	O.A.L.
.300	.015	.110	.500	56-1830	ROP-300-500	5/16 X
			.750	56-1835	ROP-300-750	2-1/2
			1.000	56-1840	ROP-300-1000	O.A.L.
.360	.015	.130	.500	56-1845	ROP-360-500	3/8 X
			.750	56-1850	ROP-360-750	2-1/2
			1.000	56-1855	ROP-360-1000	O.A.L.
.490	.015	.160	.500	56-1865	ROP-490-500	1/2 X
			.750	56-1870	ROP-490-750	3"
			1.000	56-1875	ROP-490-1000	O.A.L.
			1.250	56-1880	ROP-490-1250	

**L.H. OFFSET PROFILE TOOLS**



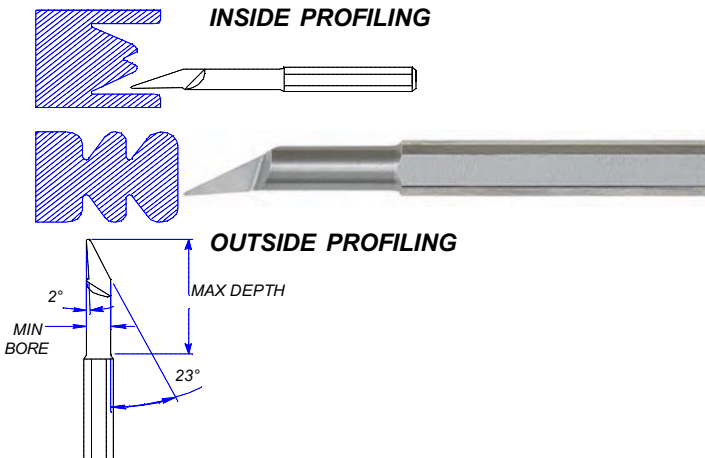
SERIES 56

made from **ITC CARBIDE**

APPLICATION : **LEFT HAND OFFSET PROFILING TOOL.**

MIN BORE	RADIUS	OFFSET	MAX DEPTH	ORDER EDP#	TOOL IDENTIFICATION	SHANK & OVERALL LENGTH
.220	.010	.080	.500	56-1915	LOP-220-500	1/4 X
			.750	56-1920	LOP-220-750	2-1/2
			1.000	56-1925	LOP-220-1000	O.A.L.
.300	.015	.110	.500	56-1930	LOP-300-500	5/16 X
			.750	56-1935	LOP-300-750	2-1/2
			1.000	56-1940	LOP-300-1000	O.A.L.
.360	.015	.130	.500	56-1945	LOP-360-500	3/8 X
			.750	56-1950	LOP-360-750	2-1/2
			1.000	56-1955	LOP-360-1000	O.A.L.
.490	.015	.160	.500	56-1965	LOP-490-500	1/2 X
			.750	56-1970	LOP-490-750	3"
			1.000	56-1975	LOP-490-1000	O.A.L.
			1.250	56-1980	LOP-490-1250	

**FINE POINT PROFILE TOOLS**



SERIES 56

made from **ITC CARBIDE**

APPLICATION : **FINE POINT PROFILING TOOL.**

MIN BORE	RADIUS	OFFSET	MAX DEPTH	ORDER EDP#	TOOL IDENTIFICATION	SHANK & OVERALL LENGTH
.220	.010	.020	.500	56-1315	FIP-220-500	1/4 X
			.750	56-1320	FIP-220-750	2-1/2
			1.000	56-1325	FIP-220-1000	
.300	.015	.020	.750	56-1330	FIP-300-750	5/16 X
			1.000	56-1335	FIP-300-1000	2-1/2
			.750	56-1340	FIP-360-750	3/8 X
.360	.015	.020	1.000	56-1345	FIP-360-1000	X
			1.250	56-1350	FIP-360-1250	2-1/2
			1.000	56-1360	FIP-490-1000	1/2 X
.490	.015	.020	1.250	56-1365	FIP-490-1250	X
			1.500	56-1370	FIP-490-1500	3"