

SERIES 91 PLASTIC BORE
CARBIDE BORING TOOLS MADE FOR CUTTING PLASTICS

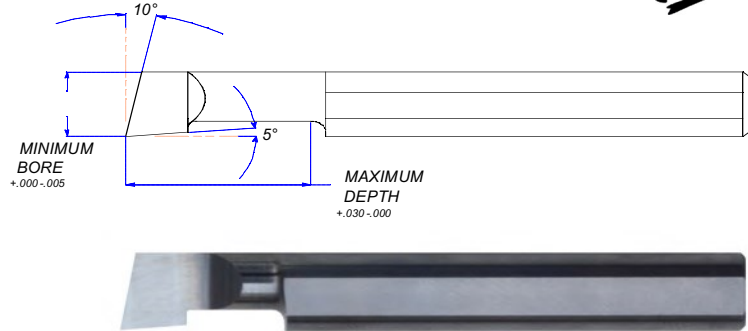
APPLICATION : **CLEARANCE AND RELIEF ANGLES**
FOR CUTTING PLASTIC

PLASTIC CUTTING BORING TOOLS

SERIES 91 *made from ITI CARBIDE*

New!

MINIMUM BORE	ORDER EDP#	MAXIMUM DEPTH	SHANK & OVERALL LENGTH
.120	91-1000	.250	1/8 X 2" O.A.L.
	91-1010	.500	
	91-1020	.800	
.180	91-1030	.500	3/16 X 2-1/2" O.A.L.
	91-1040	.750	
	91-1050	1.250	
.240	91-1060	.500	1/4 X 2-1/2" O.A.L.
	91-1070	.750	
	91-1080	1.250	
.370	91-1090	.500	3/8 X 2-1/2" O.A.L.
	91-1100	.750	
	91-1110	1.250	
.490	91-1120	.750	1/2 X 3" O.A.L.
	91-1130	1.000	
	91-1140	1.500	



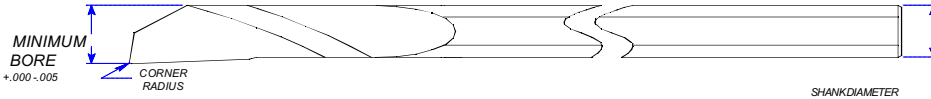
SERIES 04 LONG REACH CARBIDE BORING TOOLS
SERIES 04 *made from ITI CARBIDE*

APPLICATION : **MULTI-REACH BORING**
NO LONGER LIMITED BY NECK LENGTH.
ONE TOOL REPLACES A SERIES OF OTHERS.

MULTI-REACH BORING TOOLS

MINIMUM BORE	ORDER EDP#	ALTiN COATED ORDER EDP#	SHANK DIAMETER	CORNER RADIUS	SHANK LENGTH
.220	04-1095	04-1095-C	3/16"	.005	4"
.280	04-1100	04-1100-C	1/4"	.007	4"
.350	04-1110	04-1110-C	5/16"	.007	4"
.420	04-1120	04-1120-C	3/8"	.010	6"
.560	04-1130	04-1130-C	1/2"	.010	6"
.700	04-1140	04-1140-C	5/8"	.015	6"

SOLID CARBIDE SHANKS PROVIDE MAXIMUM RIDGIDITY.



CBN AND PCD TIPPED BORING TOOLS

APPLICATION : **CBN** for hard ferrous materials 45 rc and harder.
PCD for abrasive non ferrous materials.

New!

SERIES 108

MINIMUM BORE	CBN EDP#	PCD EDP#	MAXIMUM DEPTH	SHANK & OVERALL LENGTH
.120	108-1000	108-5000	.250	1/8 X 2" O.A.L.
	108-1050	108-5050	.500	
	108-1100	108-5100	.800	
.180	108-1150	108-5150	.500	3/16 X 2-1/2" O.A.L.
	108-1200	108-5200	.750	
	108-1250	108-5250	1.250	
.240	108-1300	108-5300	.500	1/4 X 2-1/2" O.A.L.
	108-1350	108-5350	.750	
	108-1400	108-5400	1.250	
.370	108-1450	108-5450	.500	3/8 X 2-1/2" O.A.L.
	108-1500	108-5500	.750	
	108-1550	108-5550	1.250	
.490	108-1600	108-5600	.750	1/2 X 3" O.A.L.
	108-1650	108-5650	1.000	
	108-1700	108-5700	1.500	

